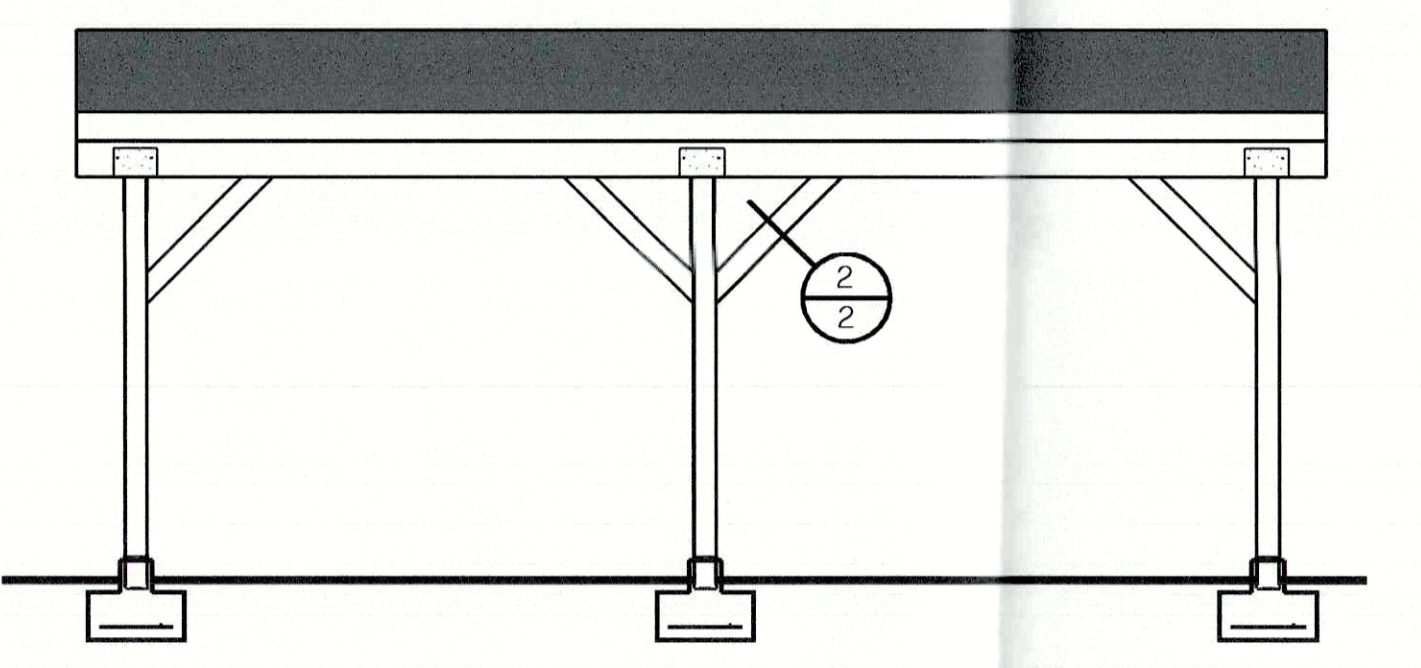
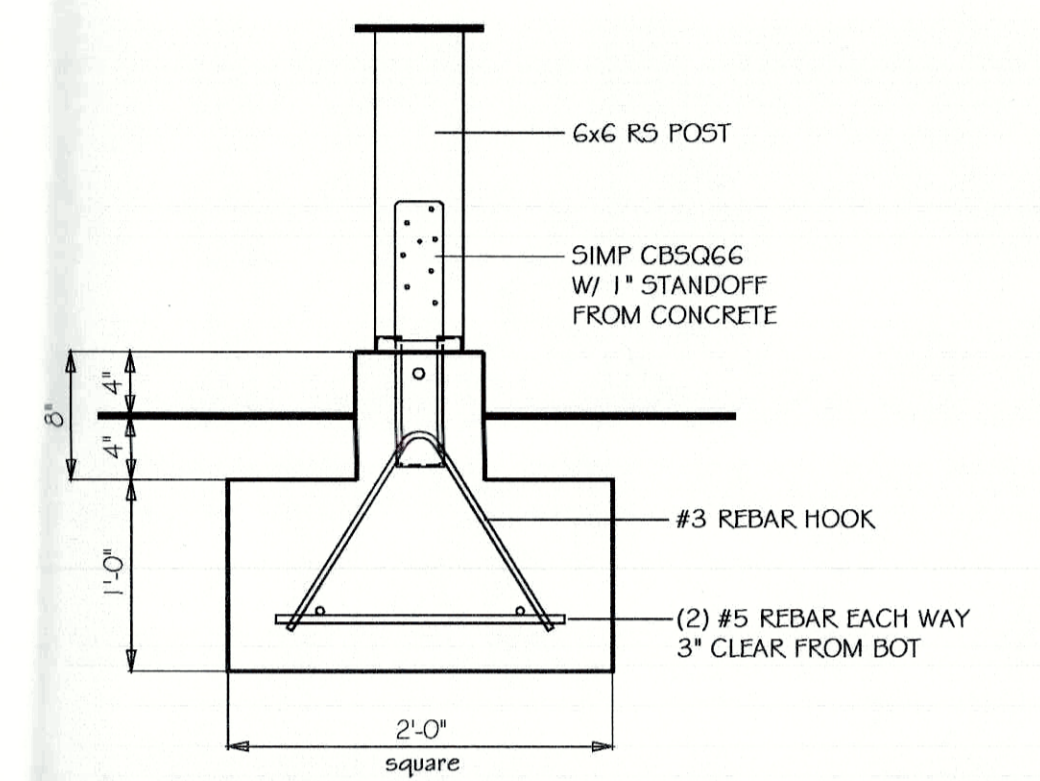
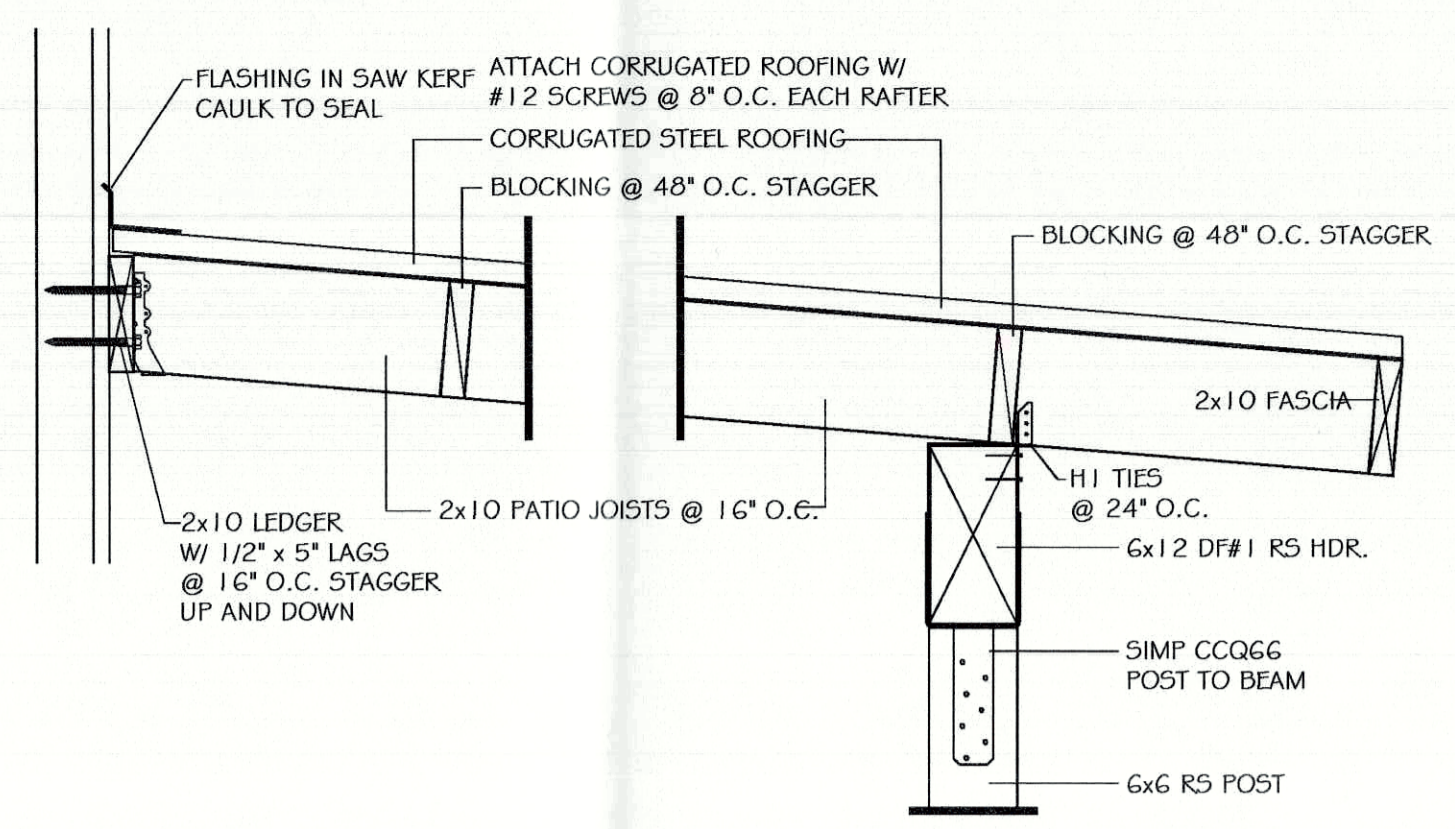


**BUILDING SECTION**  
SCALE: 1/4" = 1'-0"

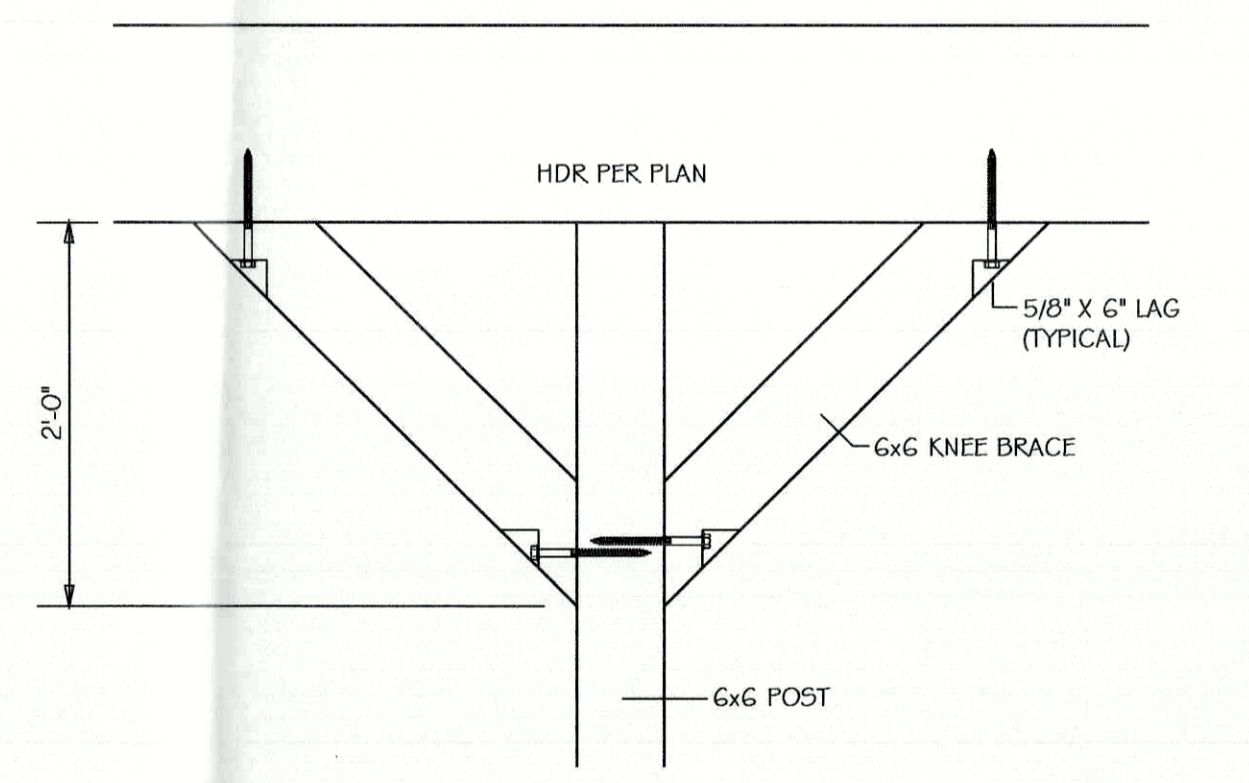
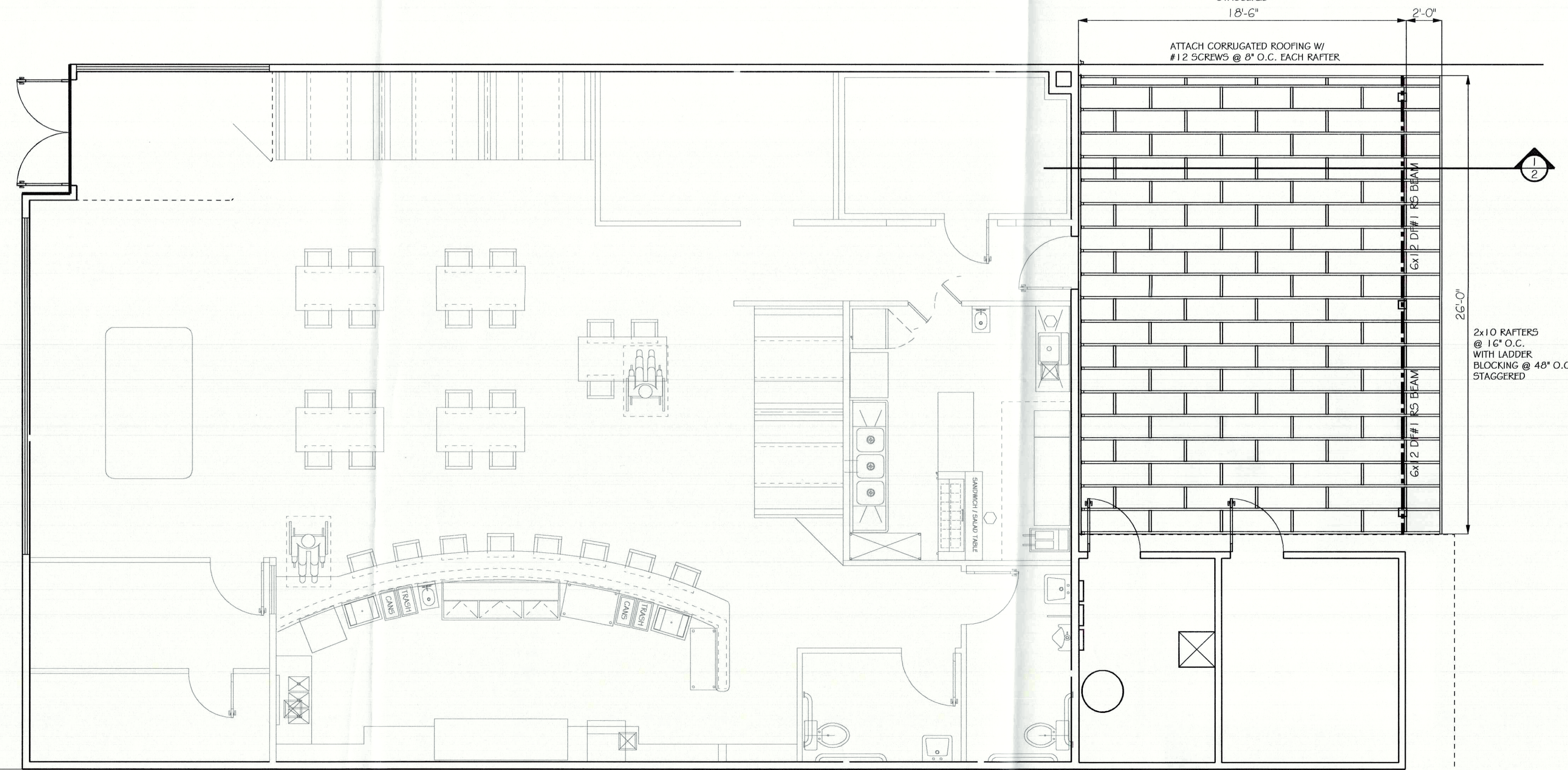


**REAR ELEVATION**



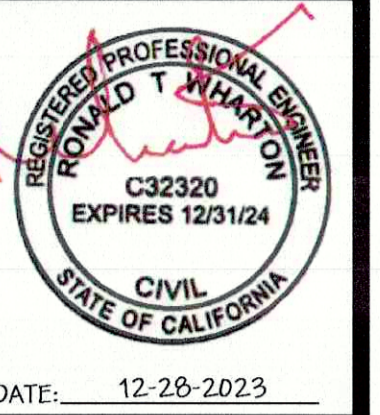
**BUILDING SECTION**  
SCALE: 1/4" = 1'-0"

2x10 RAFTERS @ 16" O.C. WITH LADDER BLOCKING @ 48" O.C. STAGGERED



**Knee Brace Detail**  
SCALE: 1/4" = 1'-0"

Revisions	By



DATE: 12-28-2023

Outdoor Patio Improvement For:  
The Tiny Pony  
57205 29 PALMS HWY  
YUCCA VALLEY, CA 92284-2929  
APN: 0595-162-02-0000

**DESIGN CONCEPTS**  
DRAFTING AND DESIGN SERVICE  
57445 29 Palms Hwy., Suite 304  
Yucca Valley, CA 92284  
Phone (760) 365-8742 - Fax (760) 365-8742  
Email: design\_online@venzon.net



DRAWN BRIAN T. DIEBOLT
CHECKED
DATE 12/12/2023
SCALE 1/4" = 1'-0"
JOB NUMBER The Tiny Pony
SHEET #