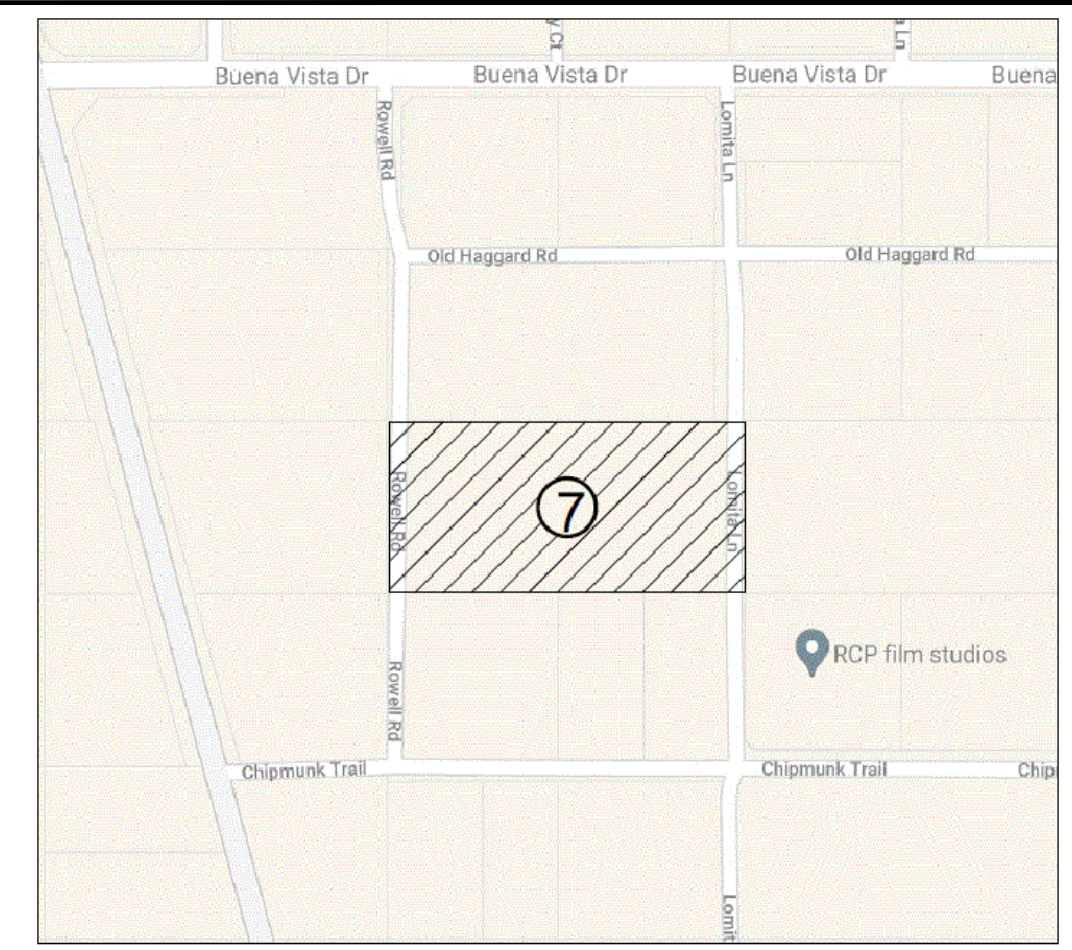


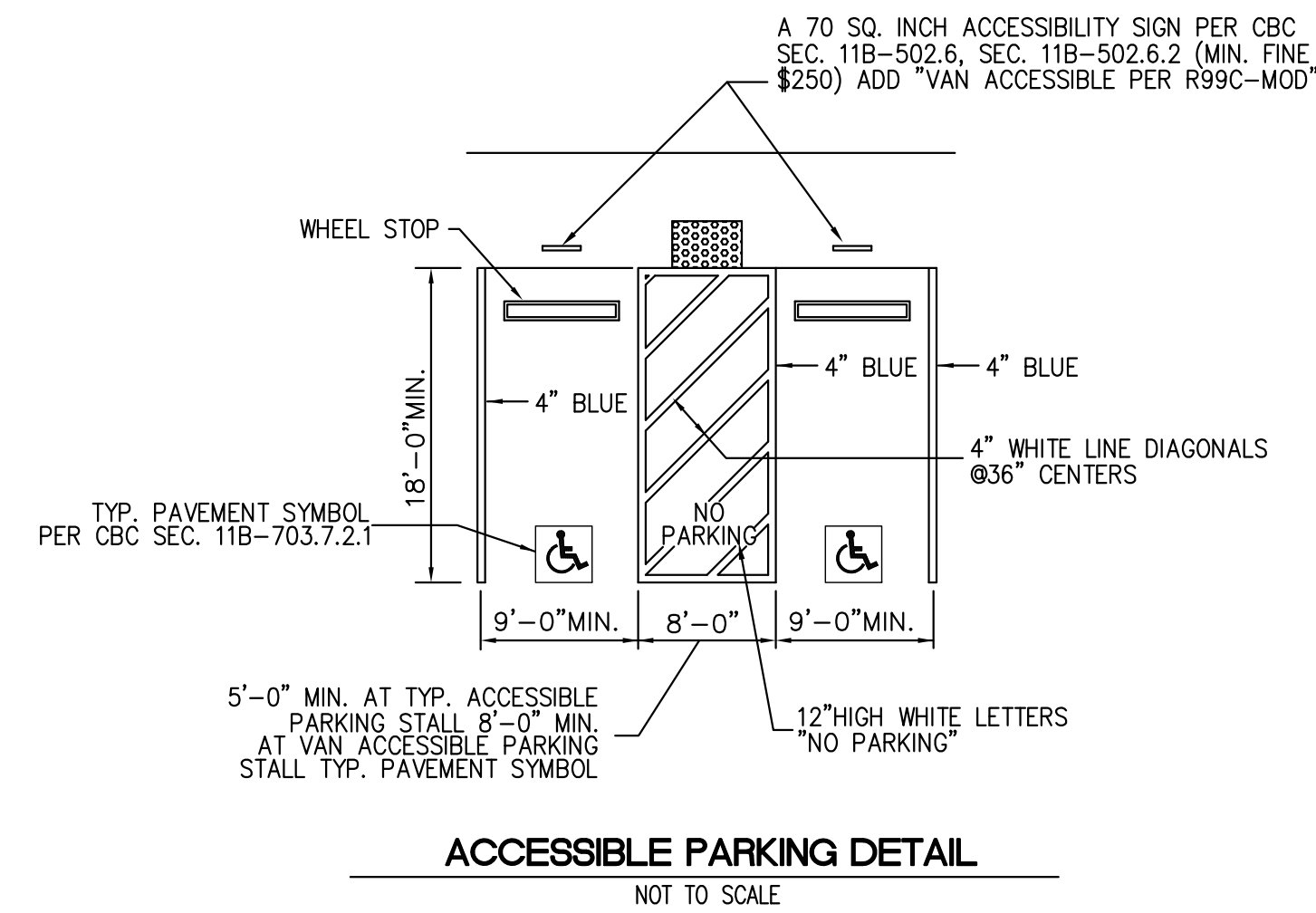
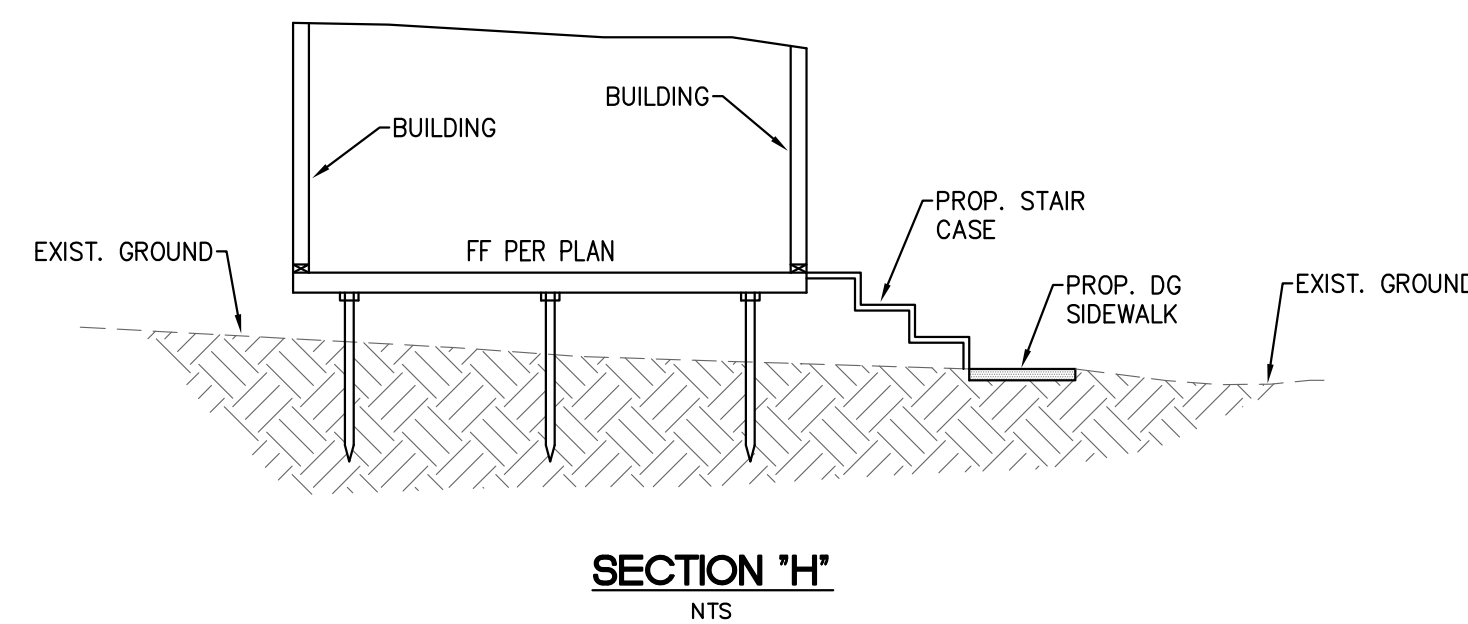
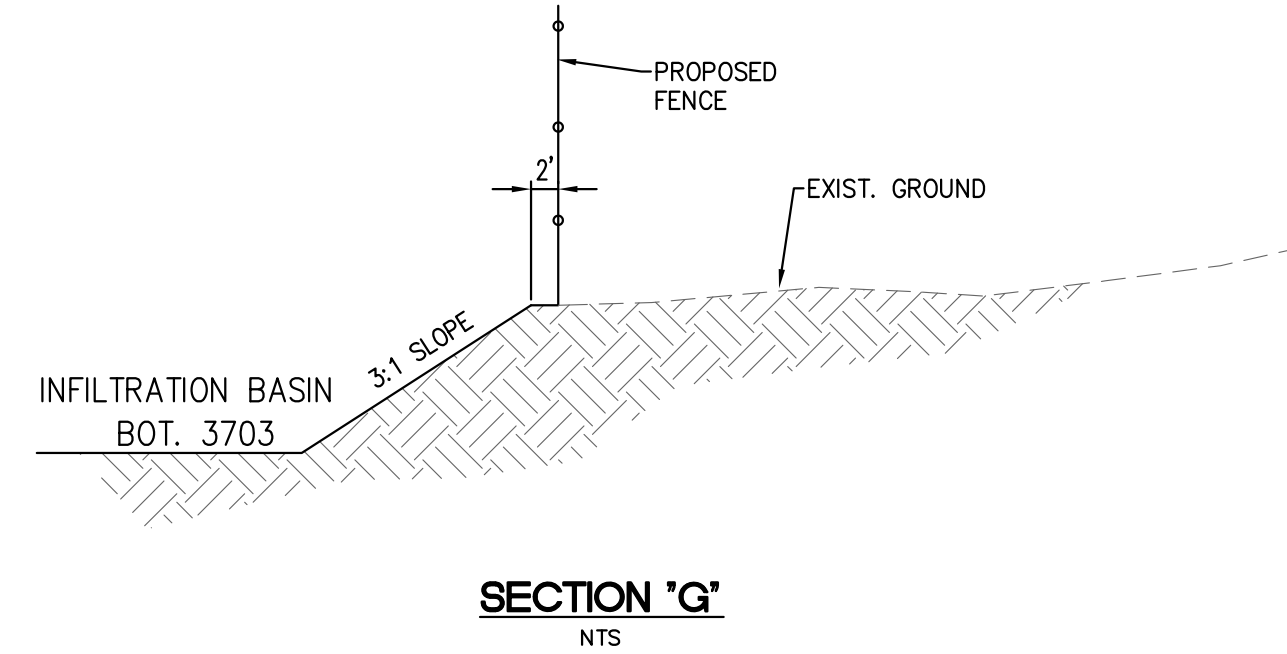
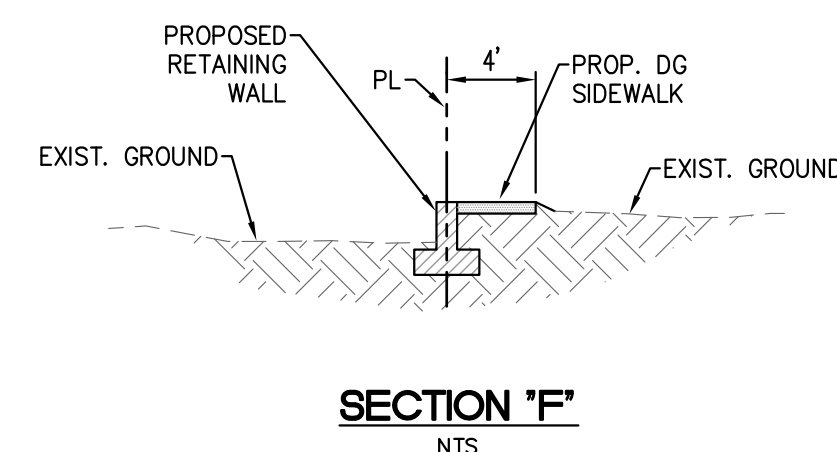
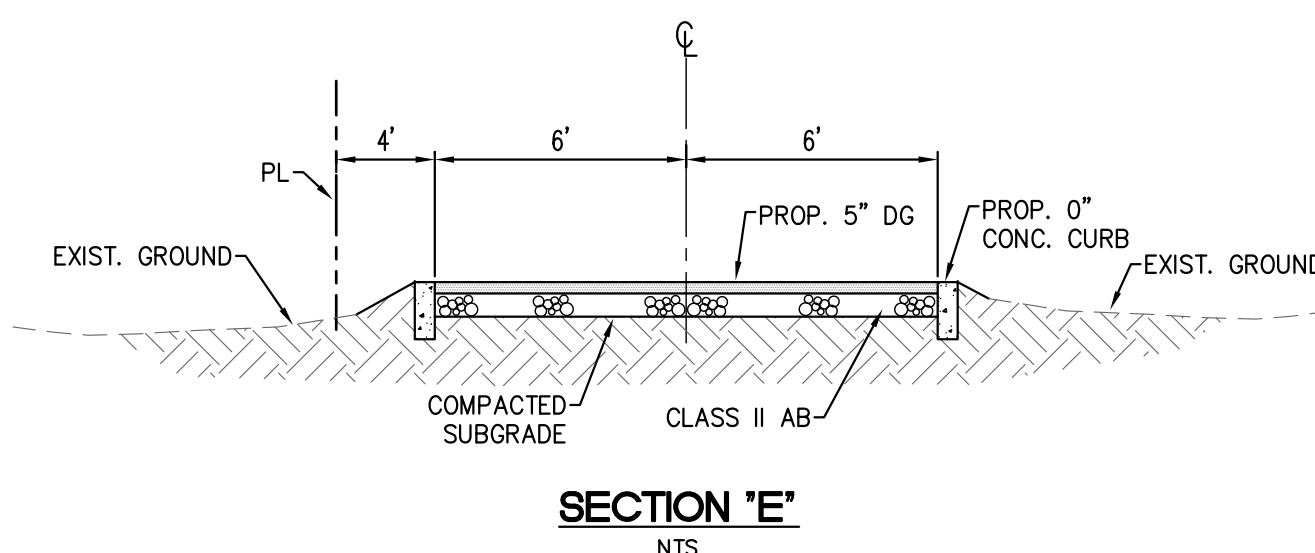
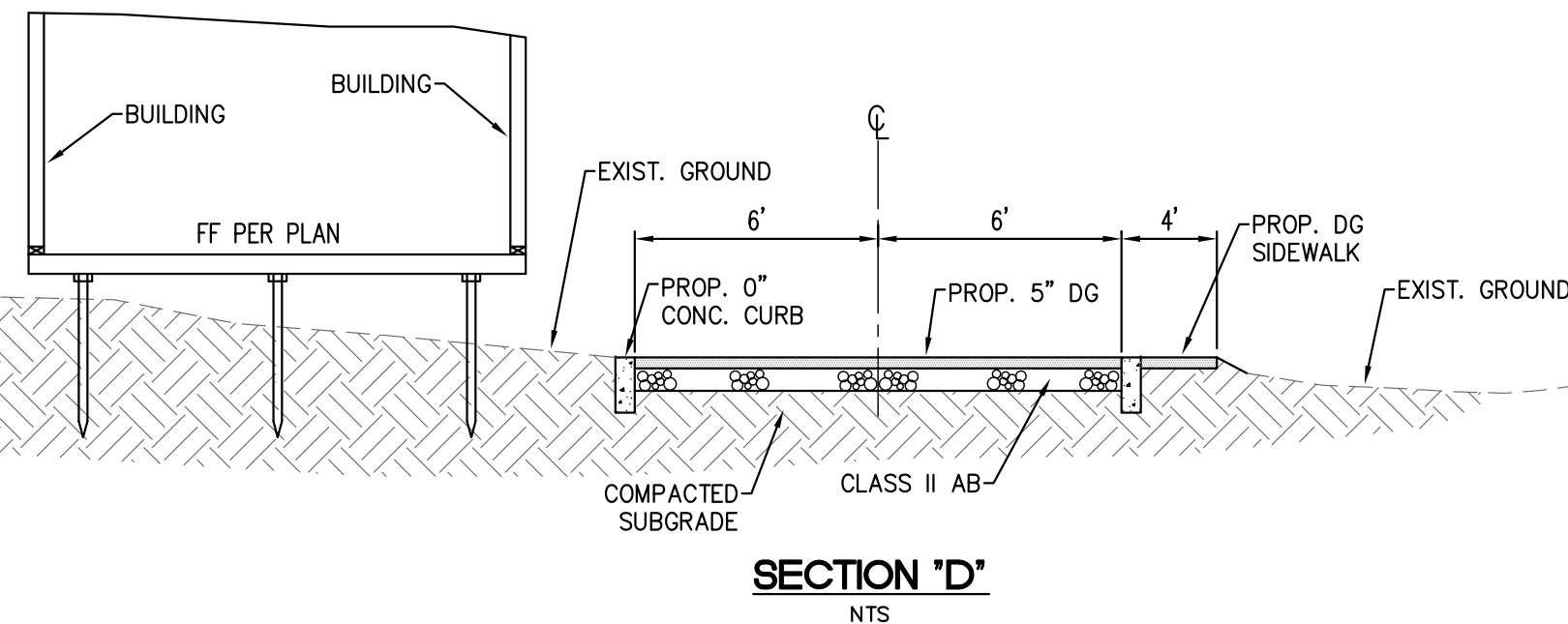
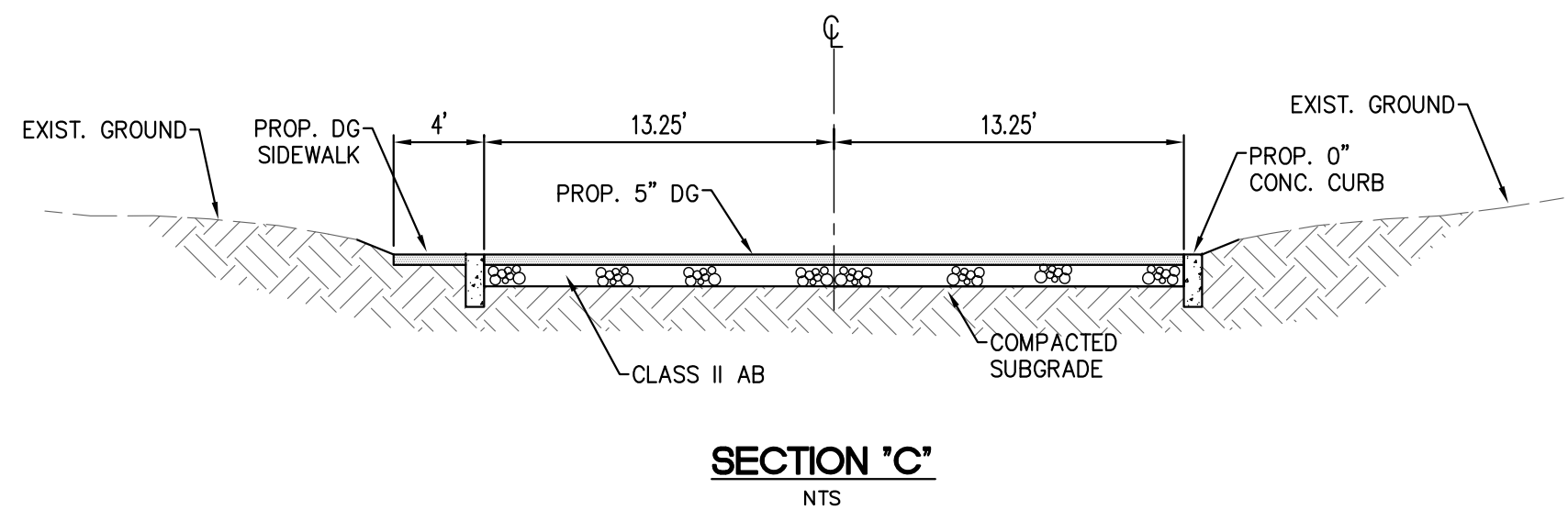
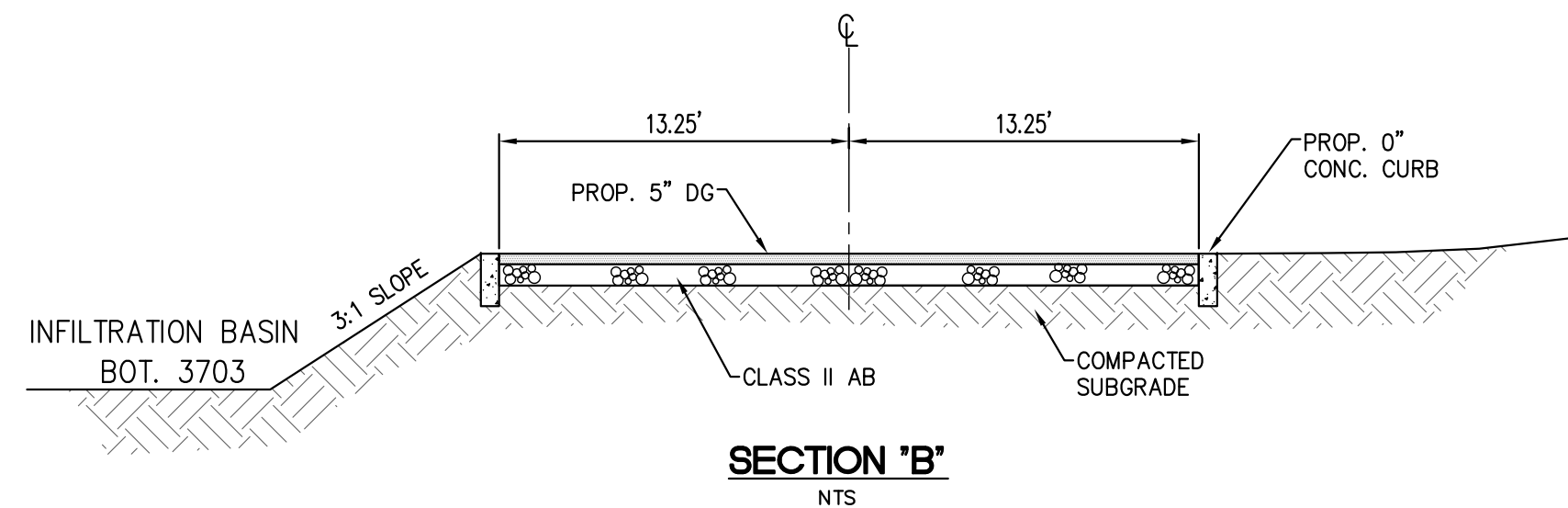
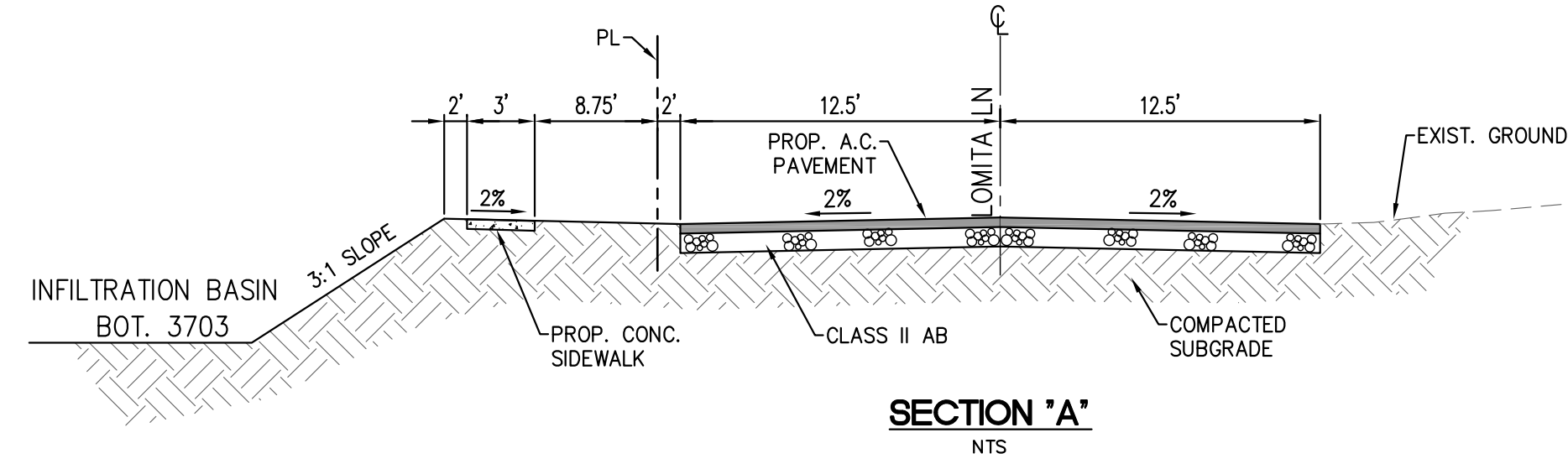
# PRELIMINARY GRADING PLAN

## LOMITA BOUTIQUE

4942 LOMITA LANE, YUCCA VALLEY, CA 92284



VICINITY MAP  
N.T.S.



APPLICANT / OWNER / DEVELOPER



54934 TWENTYNINE PALMS HWY  
YUCCA VALLEY, CA 92284  
760-880-6436  
lafontaine@evoquusmodern.com

CIVIL ENGINEER

NTS ENGINEERING  
NADIM SUNNA  
MAILING ADDRESS:  
5319 UNIVERSITY DR.  
IRVINE, CA 92612  
657-888-4608



LEGAL DESCRIPTION

LOT 7 APN: 0596-271-0000 ACCESSORS MAP BK. 0596, SAN BERNARDINO COUNTY, CALIFORNIA.

EXISTING LAND USE

0596-271-0000 VACANT

PROPOSED LAND USE

0596-271-0000 HOTEL

UTILITY PROVIDERS

WATER  
HIGH DESERT WATER DISTRICT  
55439 Twentynine Palms Highway, Yucca Valley, CA  
(760) 365-8333

ELECTRICITY  
SOUTHERN CALIFORNIA EDISON  
6999 Old Woman Springs Rd, Yucca Valley, CA 92284  
(800) 655-4555

TELEPHONE  
VERIZON CALIFORNIA  
295 N Sunris Way, Palm Springs, CA 92262  
(760) 778-3610

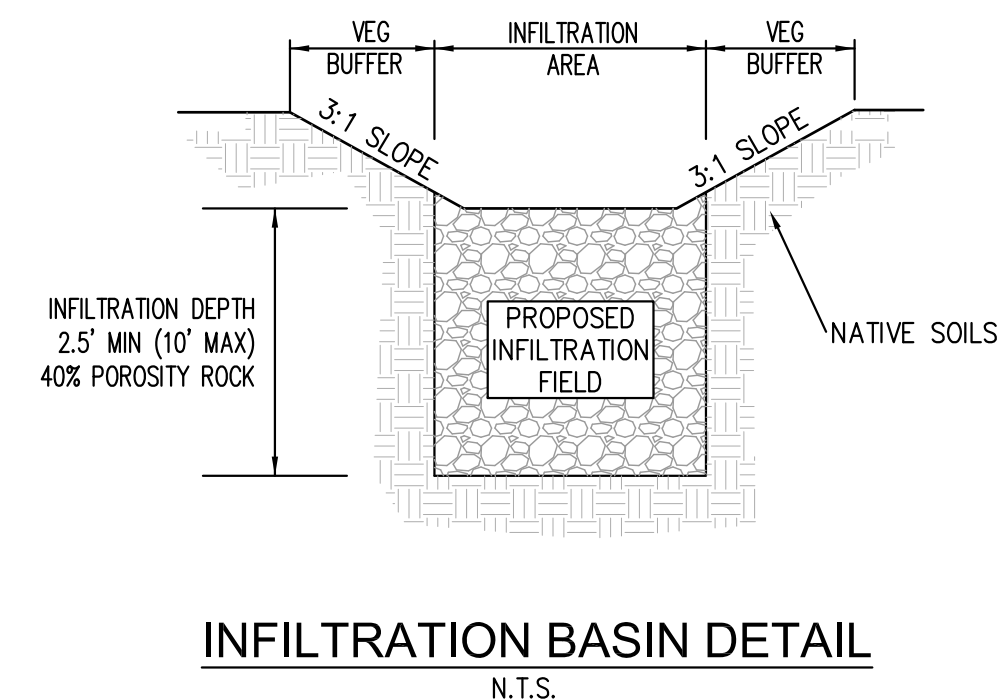
TV CABLE  
TIME WARNER CABLE  
73181 Mediterranean Rd, Palm Desert, CA 92211  
(760) 674-5404

WASTE DISPOSAL  
BURRTEC  
4878 Newton Ln, Yucca Valley, CA 92284  
(760) 365-2015

SEWAGE  
SEPTIC SYSTEM OR PACKAGE WASTEWATER  
TREATMENT PLANT

LEGEND

---	PROPERTY LINE
---	CENTER LINE
-S-	SEWER LINE
-W-	WATER LINE
-SD-	STORM DRAIN LINE
-E-	ELECTRICAL LINE
█	RETAINING WALL
▨	LANDSCAPE AREA
▩	AC PAVEMENT
▧	CONCRETE
⊕	FIRE HYDRANT
○	TREES
TC	TOP OF CURB
HP	HIGH POINT
FG	FINISHED GRADE
FL	FLOW LINE
FS	FINISHED SURFACE
FF	FINISHED FLOOR
PAD	PAD ELEVATION
R/W	RIGHT OF WAY
P.L.	PROPERTY LINE
TW	TOP OF WALL
TF	TOP OF FOOTING
N.A.P.	NOT A PART
EX	EXISTING
HT	WALL HIGH
GB	GRADE BREAK
CB	CATCH BASIN



DRP ENTERPRISES LLC  
Daniel Patneude  
MAILING ADDRESS:  
PO Box 4428  
Palm Springs, CA 92263  
206-734-7765  
Joanne C. Singer RCE 26900  
760-625-7426



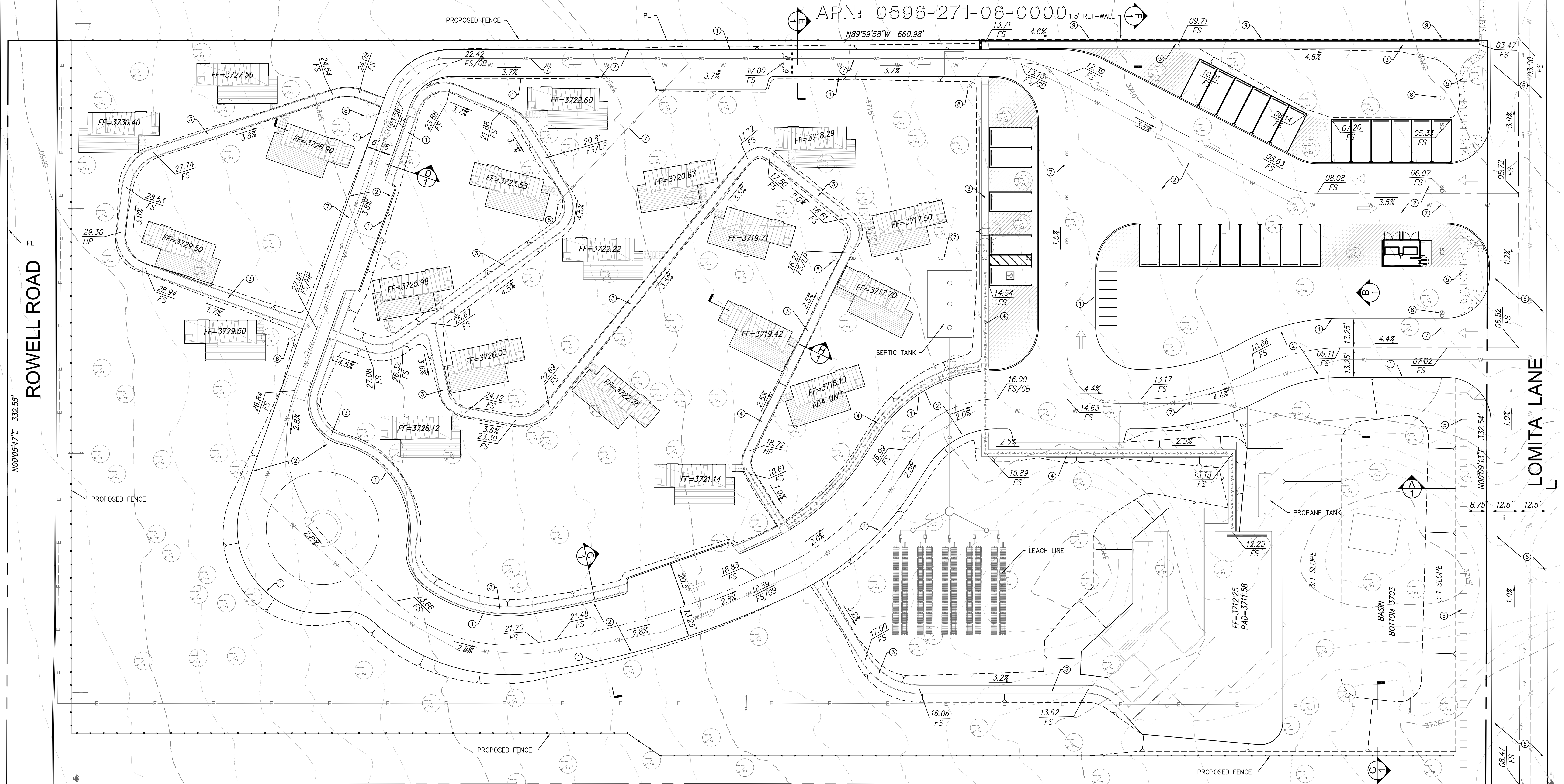


# PRELIMINARY GRADING PLAN

LOMITA BOUTIQUE

4942 LOMITA LANE, YUCCA VALLEY, CA 92284

APN: 0596-271-06-0000

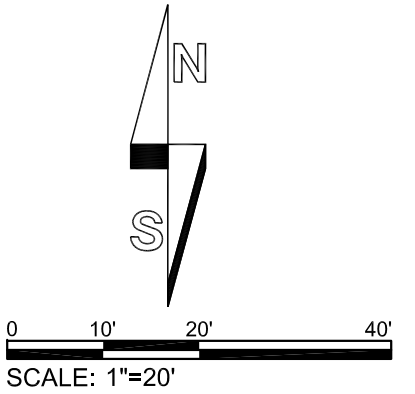


APN: 0596-271-08-0000

ARN: 0596-271-23-0000

APN: 0596-271-22-0000

- CONSTRUCTION NOTE:**
- ① PROPOSED 0" CURB
  - ② PROPOSED 5" DECOMPOSE GRANITE OVER AB (CLASS II)
  - ③ PROPOSED 4" DECOMPOSE GRANITE WALKWAY
  - ④ PROPOSED CONCRETE WALKWAY FOR ADA PATH OF TRAVEL
  - ⑤ PROPOSED SIDEWALK
  - ⑥ PROPOSED AC PAVEMENT OVER AB (CLASS II)
  - ⑦ PROPOSED STORM DRAIN PIPE
  - ⑧ PROPOSED GRATE INLET
  - ⑨ PROPOSED RETAINING WALL
  - ⑩ PROPOSED INFILTRATION BASIN



DRP ENTERPRISES LLC  
 Daniel Patneade  
 MAILING ADDRESS:  
 PO Box 4428  
 Palm Springs, CA 92263  
 206-734-7765  
 Joanne C. Singer RCE 26900  
 760-625-7426



PREPARE DATE: 05-04-2023

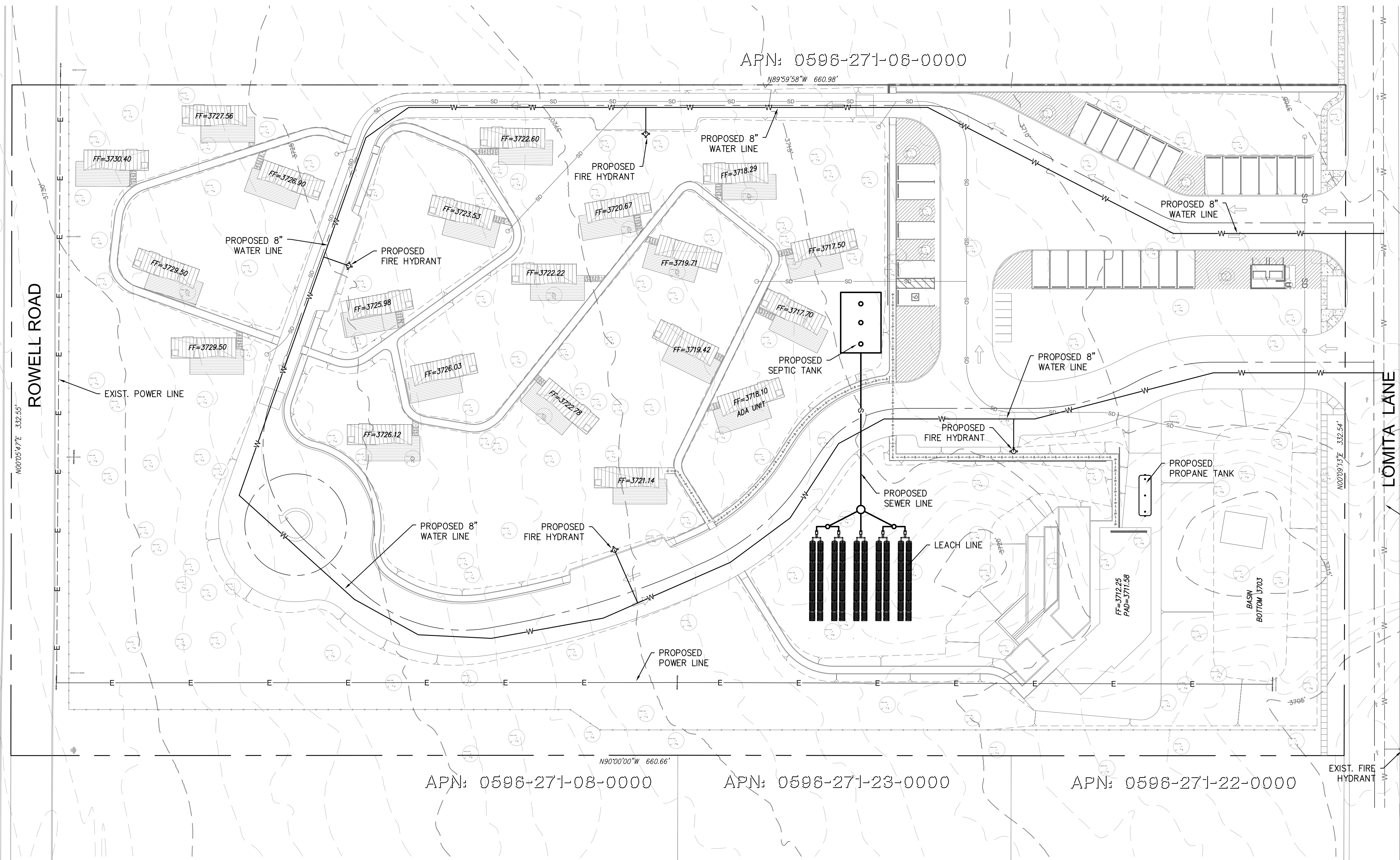


# PRELIMINARY UTILITIES PLAN

## LOMITA BOUTIQUE

4942 LOMITA LANE, YUCCA VALLEY, CA 92284

APN: 0596-271-06-0000



APN: 0596-271-08-0000

APN: 0596-271-23-0000

APN: 0596-271-22-0000

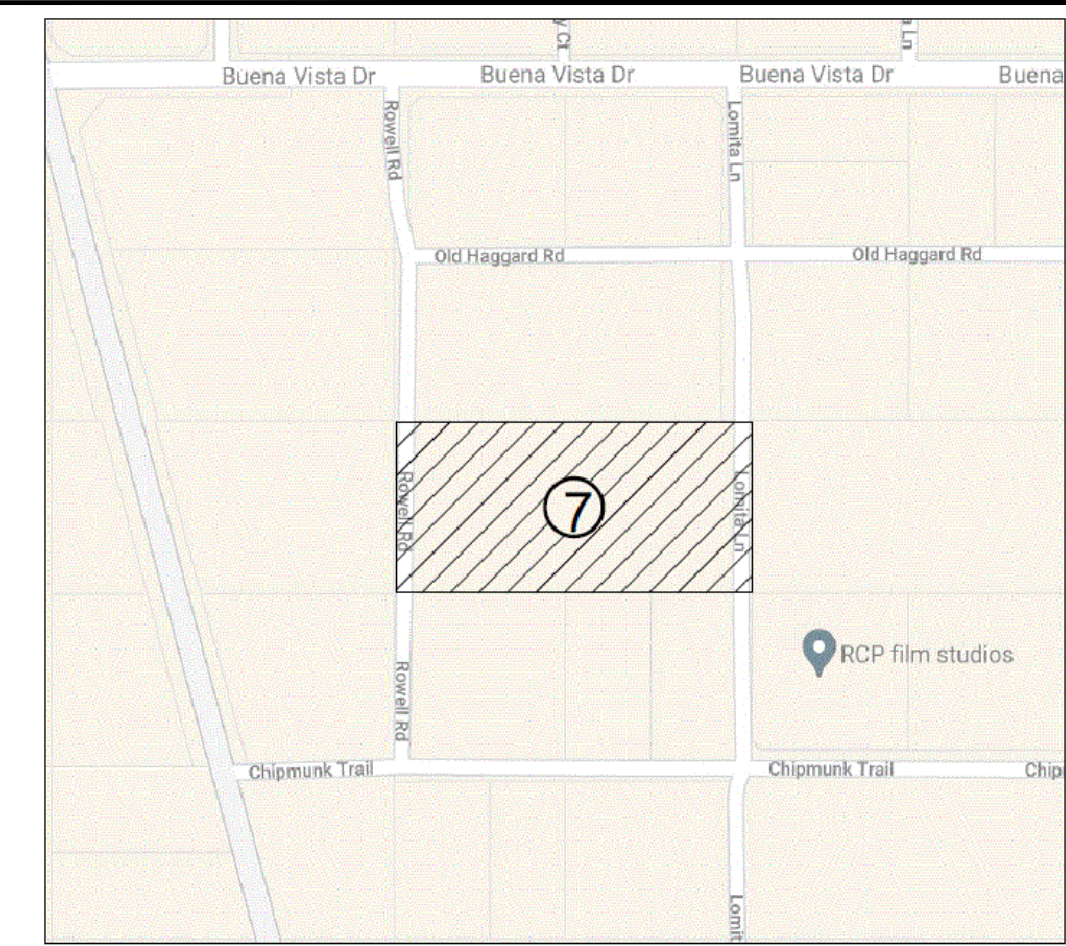
### APPLICANT / OWNER / DEVELOPER



54934 TWENTYNINE PALMS HWY  
YUCCA VALLEY, CA 92284  
760-880-6436  
lofountaine@evoquusmodern.com

### CIVIL ENGINEER

NTS ENGINEERING  
NADIM SUNNA  
MAILING ADDRESS:  
5319 UNIVERSITY DR.  
IRVINE, CA 92612  
657-888-4608



VICINITY MAP

N.T.S.

### LEGAL DESCRIPTION

LOT 7 APN: 0596-271-0000 ACCESSORS MAP BK. 0596, SAN BERNARDINO COUNTY, CALIFORNIA.

### EXISTING LAND USE

0596-271-0000 VACANT

### PROPOSED LAND USE

0596-271-0000 HOTEL

### LEGEND

	PROPERTY LINE
	CENTER LINE
	SEWER LINE
	WATER LINE
	STORM DRAIN LINE
	ELECTRICAL LINE
	RETAINING WALL
	LANDSCAPE AREA
	AC PAVEMENT
	CONCRETE
	FIRE HYDRANT
	TREES
TC	TOP OF CURB
HP	HIGH POINT
FG	FINISHED GRADE
FL	FLOW LINE
FS	FINISHED SURFACE
FF	FINISHED FLOOR
PAD	PAD ELEVATION
R/W	RIGHT OF WAY
P.L.	PROPERTY LINE
TW	TOP OF WALL
TF	TOP OF FOOTING
N.A.P.	NOT A PART
EX	EXISTING
HT	WALL HIGH
GB	GRADE BREAK
CB	CATCH BASIN

### UTILITY PROVIDERS

#### WATER

HIGH DESERT WATER DISTRICT  
55439 Twentynine Palms Highway, Yucca Valley, CA  
(760) 365-8333

#### ELECTRICITY

SOUTHERN CALIFORNIA EDISON  
6999 Old Woman Springs Rd, Yucca Valley, CA 92284  
(800) 655-4555

#### TELEPHONE

VERIZON CALIFORNIA  
295 N Sunris Way, Palm Springs, CA 92262  
(760) 778-3610

#### TV CABLE

TIME WARNER CABLE  
73181 Mediterranean Rd, Palm Desert, CA 92211  
(760) 674-5404

#### WASTE DISPOSAL

BURRTEC  
4878 Newton Ln, Yucca Valley, CA 92284  
(760) 365-2015

#### SEWAGE

SEPTIC SYSTEM OR PACKAGE WASTEWATER TREATMENT PLANT

