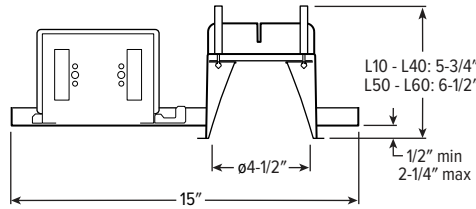


# 4DR LED 4.5" Downlight – Round



CATALOG #: \_\_\_\_\_

TYPE: \_\_\_\_\_

PROJECT: \_\_\_\_\_

## NEW CONSTRUCTION AND REMODEL

ORDERING EXAMPLE: **4DR - TL - L20/835 - OPTIONS - CONTROL/DIM - UNV - OW - OF - CS - TRIM OPTIONS - N - F1**

HOUSING TRIM MOUNT

## HOUSING

SERIES	LUMENS <sup>[1]</sup>	CRI	CCT	OPTIONS	CONTROL	DRIVER <sup>[2]</sup>	VOLTAGE
4DR - TL	L10 1,000lm <sup>[3]</sup>	8 80	27 2700K	SCA__ Sloped ceiling adapter <sup>[5]</sup>	— None	DIM Dimming driver, 0-10V	UNV 120-277V
TrimLock	L15 1,500lm	9 90 <sup>[4]</sup>	30 3000K	ATH Airtight construction	AVI-LVFA Avi-on wireless fixture control <sup>[11]</sup>	DIM1 1% Dimming driver, 0-10V	347 347V <sup>[13]</sup>
	L20 2,000lm		35 3500K	F Fuse		DA Driver with 12V auxiliary power <sup>[12]</sup>	
	L30 3,000lm		40 4000K	EM/7W 7-watt emergency battery <sup>[6]</sup>			
	L40 4,000lm		50 5000K	EM/10W 10-watt emergency battery <sup>[7]</sup>			
	L50 5,000lm			EM/10W/RTS 10-watt emergency battery with regressed test switch <sup>[8]</sup>			
	L60 6,000lm			CP Chicago plenum (CCEA) <sup>[9]</sup>			
				SDT Stepdown transformer <sup>[10]</sup>			

## TRIM <sup>[14]</sup>

TRIM TYPE	DISTRIBUTION <sup>[15]</sup>	FLANGE TYPE	REFLECTOR FINISH	TRIM OPTIONS
O Open reflector	W Wide	OF 1/2" standard flange	Open trim types	MWT Textured white trim flange <sup>[23]</sup>
L Flush lens	65° Open	SF 1/4" mud-in flange <sup>[21]</sup>	CS Clear semi-specular anodize	IP IP65 rated trim <sup>[24]</sup>
R Regressed lens	50° Flush		SG Satin-glow anodize	AD Diffuse acrylic lens <sup>[25]</sup>
A Angled lens <sup>[16]</sup>	50° Regressed		GD Gold anodize	PD Diffuse 1/8" polycarbonate lens <sup>[26]</sup>
S Non-conductive flush lens for shower applications <sup>[17]</sup>	M Medium <sup>[18]</sup>		CG Champagne gold anodize	TD Diffuse polycarbonate lens media at top of open reflector <sup>[27]</sup>
	45° Open		PW Pewter anodize	WET/CC Wet location, covered ceiling listed <sup>[28]</sup>
	35° Flush		SPC Clear specular anodize	AM Anti-microbial <sup>[29]</sup>
	30° Regressed		RG Rose gold anodize	
	N Narrow <sup>[19]</sup>		WH White texture powder coat	
	10° Open		BL Black texture powder coat	
	25° Flush			
	25° Regressed			
	WW Wall wash <sup>[20]</sup>			

## MOUNTING

### MOUNTING TYPE <sup>[30]</sup>

- N Open pan for new construction
- I IC-rated enclosure for new construction <sup>[32]</sup>
- R Remodel kit <sup>[33]</sup>

### MOUNTING HARDWARE <sup>[31]</sup>

- F1 Integral 2-position fixed pan bracket, universal bar hanger included <sup>[34]</sup>
- BA1 Adjustable butterfly pan bracket, bar hanger not included <sup>[35]</sup>
- CA1 Adjustable caterpillar pan bracket, universal bar hanger included <sup>[36]</sup>

## NOTES

- <sup>1</sup> Lumen output based on O trim type, W distribution and CS finish, 3500K/80CRI. Actual lumens may vary +/-5%, see page 2 for FIXTURE PERFORMANCE DATA.
- <sup>2</sup> See page 6 for ADDITIONAL DRIVER OPTIONS.
- <sup>3</sup> Not available with EM/10W emergency batteries.
- <sup>4</sup> Extended lead times may apply. Consult factory for availability.
- <sup>5</sup> 9" aperture, specify degrees of slope in 5° increments, 05°-30°. Not available with I Mounting Type, ATH or WET/CC options. Painted white. Other colors available, consult factory. See page 3 for SLOPED CEILING ADAPTOR DETAILS.
- <sup>6</sup> N and R Mounting Types only. Not available with ATH or IP options.
- <sup>7</sup> N and R Mounting Types only. Not available with ATH or IP options.
- <sup>8</sup> Not available with WET/CC, ATH or IP options. N and R Mounting Types only. See page 5 for EM/10W/RTS DETAILS.
- <sup>9</sup> I Mounting Type required.
- <sup>10</sup> May be required for 347V, see product builder at [hew.com/product-builder](http://hew.com/product-builder).
- <sup>11</sup> DA Driver only. See page 6 for AVI-ON BLUETOOTH WIRELESS CONTROL DETAILS.
- <sup>12</sup> Avi-on Controls only.
- <sup>13</sup> Not available with EM batteries, DMX Driver, or Avi-on Controls.
- <sup>14</sup> Trim ships separately.
- <sup>15</sup> Beam angle based on CS or WH reflector finish.
- <sup>16</sup> Available with WW Distribution only.
- <sup>17</sup> W Distribution, OF Flange Type, WH Reflector Finish only. Standard with AD diffuse acrylic lens. IP and WET/CC options standard.
- <sup>18</sup> Not available with lumen stops L50 and higher when specified with flush or regressed trim types.
- <sup>19</sup> Not available with lumen stops L50 and higher when specified with flush or regressed trim types.
- <sup>20</sup> O and A Trim Types only.
- <sup>21</sup> For use with mud-in plaster construction only, supplied with mud flange installation kit. See page 4 for FLANGE TYPE DETAILS. Not available with ATH or IP options.
- <sup>22</sup> R Trim Type only. Not available with MWT.
- <sup>23</sup> Not available with WH Reflector Finish, L or S Trim Types.
- <sup>24</sup> L and R Trim Types only.
- <sup>25</sup> Not available with O trim type. W and WW distributions only.
- <sup>26</sup> Not available with O trim type. W and WW distributions only.
- <sup>27</sup> O Trim Type only. WET/CC standard unless ordered with EM/RTS. L50 lumen package max.
- <sup>28</sup> L50 lumen package max with O Trim Type. Not available with PD trim option.
- <sup>29</sup> WH and BL Reflector Finishes only. Not available with S Trim Type.
- <sup>30</sup> Mounting hardware required (N and I only), ordered separately, see MOUNTING HARDWARE ordering info. See page 4 for MOUNTING TYPE DETAILS.
- <sup>31</sup> Additional mounting hardware options available. See page 5 for MOUNTING HARDWARE DETAILS.
- <sup>32</sup> L20 lumen package max. L30 available, wide distribution only for lensed trims.
- <sup>33</sup> Also used in new construction sheetrock ceilings. Pan-less installation.
- <sup>34</sup> N and I Mounting Types only. I Mounting requires external brackets.
- <sup>35</sup> N Mounting Type only.
- <sup>36</sup> N Mounting Type only.

# 4DR LED 4.5" Downlight – Round

## FEATURES

### TrimLock®

- Innovative TrimLock reflector retention system ensures trim remains flush with ceiling plane
- Beam angles ranging from 10° narrow to 65° wide for tailored performance
- Die-cast trim choices include flush, regressed or angled lens
- Contemporary design provides glare-free illumination for a soft ceiling appearance
- Industry-leading efficacies as high as 113 lm/W – ENERGY STAR® certified
- Available on QuickShip
- Available with Avi-on wireless fixture controls



Available with BIOS® consult factory

## SPECIFICATIONS

- HOUSING** – Die-cast aluminum trim housing with forged aluminum heat sink. Galvanized steel splice compartment with driver mounting plate/enclosure. Swing-out mounting arms field adjust for ceiling thickness from 1/2" – 2-1/4".
- TRIMLOCK** – Innovative TrimLock reflector retention system ensures the trim remains flush with the ceiling plane.
- OPEN REFLECTOR** – Low-iridescent anodized aluminum. Clear semi-specular finish standard.
- LENSED TRIM** – Die-cast aluminum frame with micro-prismatic, acrylic lens.
- ELECTRICAL** – High-performance Class 2 C.O.B. LED array. Modular quick-connect plug for easy field-connection of LED light assembly to driver. Reported L70>55,000 hours. Reported L90>55,000 hours. Estimated L70 = 200,000 hours.
- MOUNTING** – Recessed. 20 ga. galvanized steel mounting pan for new construction or IC-rated enclosure. Remodel kit option includes receiver bracket hardware. Minimum 24" O.C. marked spacing required for L50 and L60 lumen packages.
- LISTINGS** –
  - cCSAus conforms to UL STD 1598; Certified to CAN/CSA STD C22.2 No. 250.0 for dry and damp locations. LED light assembly conforms to UL 2108 for remote installation.
  - Suitable for wet location under covered ceiling when specified with WET/CC or TD options.
  - ENERGY STAR® certified in select configurations, see [www.energystar.gov](http://www.energystar.gov)
  - IC-rated for direct contact with insulation when specified with I Mounting Type.
  - City of Chicago Environmental Air approved when specified with CP option.
  - Complies with ASTM-E283 when specified with ATH option.
  - RoHS compliant.
  - Title 24 (JAB) compliant in select configurations, see [www.cacertappliances.energy.ca.gov](http://www.cacertappliances.energy.ca.gov).
- WARRANTY** – 5-year limited warranty, see [hew.com/warranty](http://hew.com/warranty).

## FIXTURE PERFORMANCE DATA

	DISTRIBUTION	WATTAGE	OPEN REFLECTOR TRIM TYPE		FLUSH LENS TRIM TYPE		REGRESSED LENS TRIM TYPE	
			DELIVERED LUMENS	EFFICACY (lm/W)	DELIVERED LUMENS	EFFICACY (lm/W)	DELIVERED LUMENS	EFFICACY (lm/W)
L10	W	9.0	1027	113.6	674	74.6	660	73.0
	M	9.0	999	110.5	895	99.0	895	99.1
	N	9.0	1000	110.6	914	101.2	882	97.7
L15	W	13.9	1466	105.8	994	71.7	972	70.2
	M	13.9	1471	106.2	1319	95.1	1319	95.2
	N	13.9	1473	106.3	1347	97.2	1300	93.8
L20	W	19.8	2005	101.0	1352	68.3	1323	66.2
	M	19.8	2002	101.0	1794	90.6	1795	90.8
	N	19.8	2004	101.1	1833	92.6	1769	88.5
L30	W	27.8	2985	107.3	2022	72.7	1979	71.1
	M	27.8	2900	104.2	2683	96.5	2685	96.5
	N	27.8	2734	98.3	2741	98.6	2646	95.1
L40	W	38.0	3979	104.7	2695	70.9	2638	69.4
	M	38.0	3865	101.7	3577	94.1	3579	94.2
	N	38.0	3644	95.9	3654	96.2	3527	92.8
L50	W	45.2	5124	113.4	3364	74.4	3292	72.8
	M	45.2	4956	109.6	–	–	–	–
	N	45.1	4818	106.8	–	–	–	–
L60	W	57.6	6035	104.8	4016	69.7	3933	68.3
	M	57.6	6026	104.6	–	–	–	–
	N	57.6	6032	104.7	–	–	–	–

## MULTIPLIER TABLES

	COLOR TEMPERATURE	
	CCT	CONVERSION FACTOR
80 CRI	2700K	0.92
	3000K	0.98
	3500K	1.00
	4000K	1.01
	5000K	1.02
90 CRI	2700K	0.76
	3000K	0.79
	3500K	0.82
	4000K	0.84
	5000K	0.88

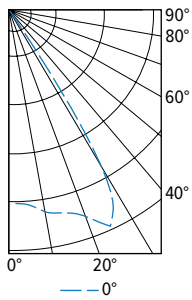
TRIM	
CATALOG NUMBER	CONVERSION FACTOR
S	0.85
AD	0.85
PD	0.85
TD	0.75
WET/CC <sup>2</sup>	0.85

	REFLECTOR FINISH	
	CATALOG NUMBER	CONVERSION FACTOR
O TRIM	CS	1.00
	SG <sup>1</sup>	0.92
	GD	0.93
	CG	0.96
	PW	0.86
	SPC	1.02
R TRIM	WH	1.00
	CS	0.98
	BL <sup>1</sup>	0.47
	BL	0.79

<sup>1</sup> Distribution will also be affected, consult factory.  
<sup>2</sup> Use multiplier when specified with O Trim Type.  
 • Photometrics tested in accordance with IESNA LM-79. Results shown are based on 25°C ambient temperature.  
 • Wattage shown is based on 120V input.  
 • Results based on 3500K, 80 CRI, actual lumens may vary +/-5%  
 • Use multiplier tables to calculate additional options.

## PHOTOMETRY

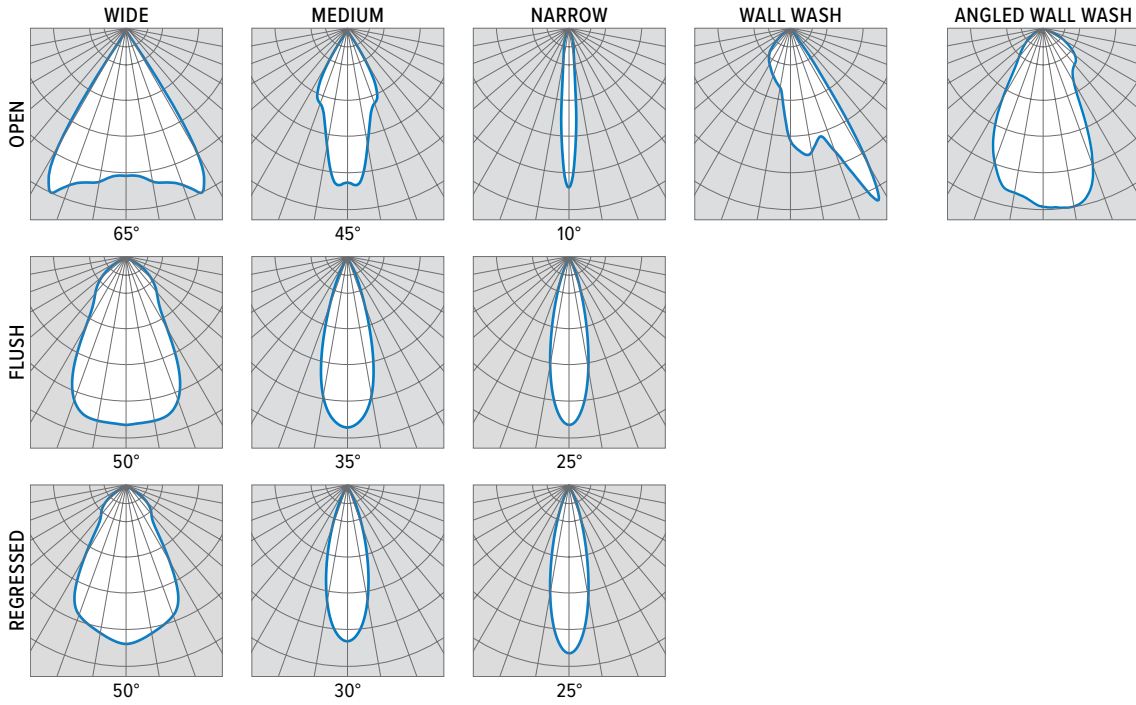
4DR-TL-L20/835-DIM-UNV-OW-OF-CS Report #: 20685; 12/13/18 | Total Luminaire Output: 2005 lumens; 19.8 Watts | Efficacy: 101.0 lm/W | 83.1 CRI; 3472K CCT



CANDLEPOWER DISTRIBUTION	VERTICAL ANGLE	HORIZONTAL ANGLE	ZONAL LUMENS
		0°	
	0	1810	
	5	1864	178
	15	1960	556
	25	2231	1033
	35	307	193
	45	44	35
	55	11	10
	65	1	1
	75	0	0
	85	0	0
	90	0	0

LUMEN SUMMARY	ZONE	LUMENS	% FIXTURE
	0 - 40	1959	98
	0 - 60	2004	100
	0 - 90	2005	100
	0-180	2005	100

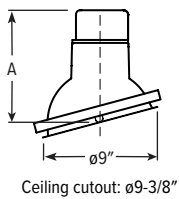
# 4DR LED 4.5" Downlight – Round



## TRIMLOCK DETAILS



## SLOPED CEILING ADAPTOR DETAILS



LUMENS	A (HEIGHT)						PLENUM HEIGHT
	5°	10°	15°	20°	25°	30°	
L10 - L30	8-13/16"	8-15/16"	9"	8-15/16"	8-7/8"	8-11/16"	9-1/4"
L40 - L60	9-9/16"	9-11/16"	9-11/16"	9-5/8"	9-1/2"	9-5/16"	10"

15° Shown

## APERTURE ADAPTOR ORDERING INFO

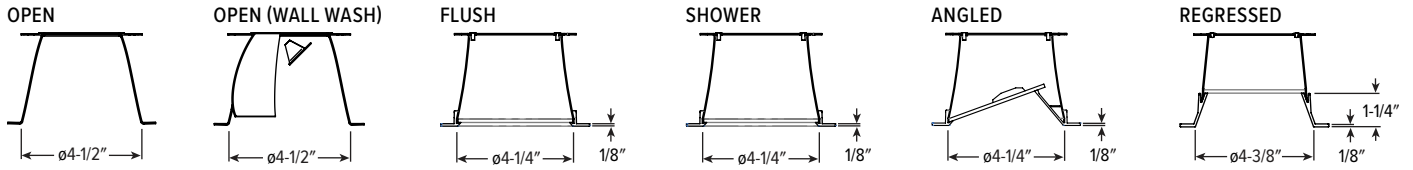
ORDERING EXAMPLE: 4DR - GR - 0575 - WHT			
SERIES	CATALOG NUMBER	CEILING CUTOUT	FINISH
4AR 4DR 4DS 4PR 4PS 8DR	6AR 6DR 6DS 6PR 6PS 8DR	GR	CS Clear semi-specular powder coat WH White texture powder coat BL Black texture powder coat
		Specify ceiling cutout in 1/8" increments. Example: 5.75" = 0575	
		See Kit Components for application limits.	

Additional finishes available, consult factory. For use with remodel downlights. For limitations and instructions, see [hew.com/aperture-adaptor.pdf](http://hew.com/aperture-adaptor.pdf)

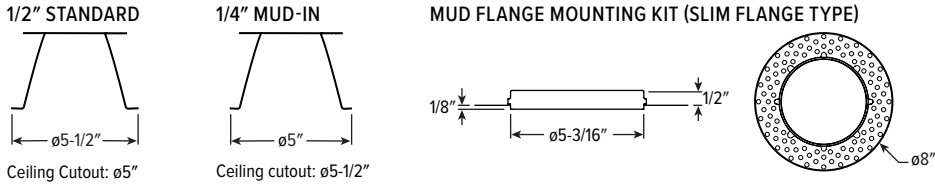


# 4DR LED 4.5" Downlight – Round

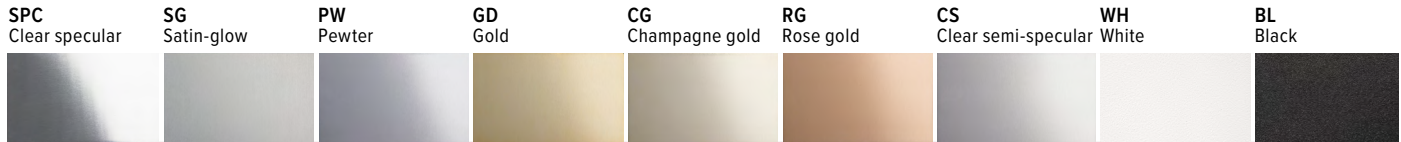
## TRIM TYPE DETAILS



## FLANGE TYPE DETAILS



## REFLECTOR FINISH DETAILS



## MOUNTING TYPE DETAILS

**NEW CONSTRUCTION**

**IC-RATED**

**REMODEL**

Cross Section

Receiver Bracket

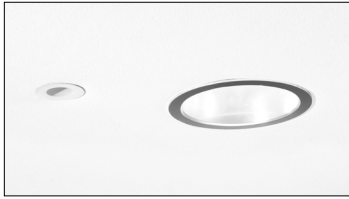
Driver and Junction Box

LUMENS	LENGTH					
	A	B	C	D	E	F
L10 - L20	15-3/16"	16"	6-3/8"	12-1/8"	9-1/2"	6-1/16"
L30	16-5/8"	17-1/2"	7-7/8"	14"	10-1/4"	7"

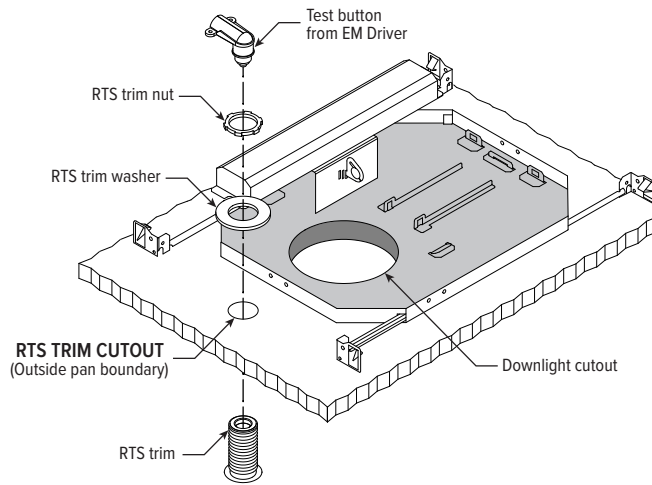


# 4DR LED 4.5" Downlight – Round

## EM/10W/RTS DETAILS

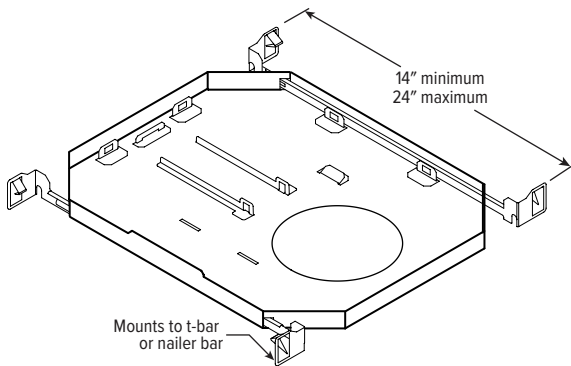


Shown Installed

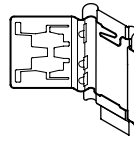


## MOUNTING HARDWARE DETAILS

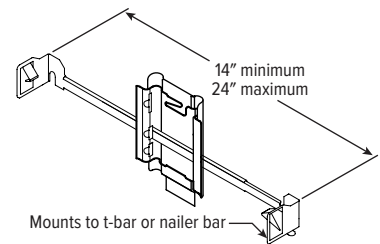
**F1** Integral 2-position fixed pan bracket, universal bar hanger included



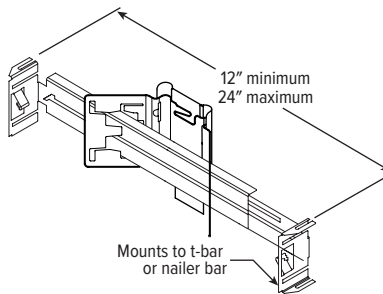
**BA1** Adjustable butterfly pan bracket, bar hanger not included (N Mounting Type only)



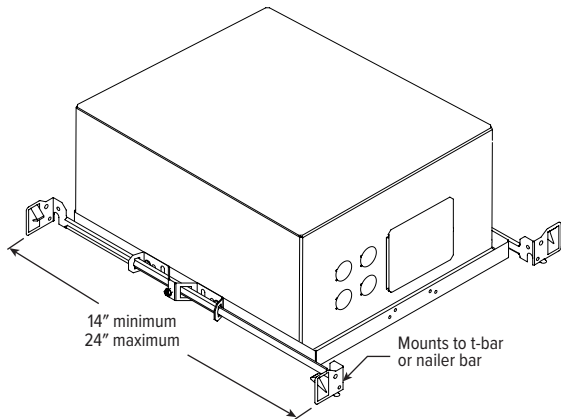
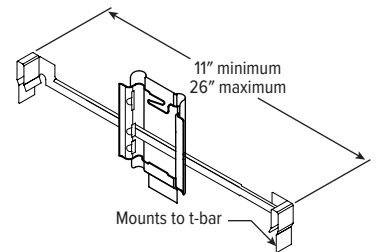
**CA1** Adjustable caterpillar pan bracket, universal bar hanger included (N Mounting Type only)



**BA2** Adjustable butterfly pan bracket, heavy-duty universal bar hanger included (N Mounting Type only)



**CA2** Adjustable caterpillar pan bracket, t-bar hanger included (N Mounting Type only)



F1 with I Mounting Type

SEE NEXT PAGE FOR CONTROL DETAILS.



# 4DR LED 4.5" Downlight – Round

## AVI-ON BLUETOOTH WIRELESS CONTROL DETAILS

### AVI-ON NETWORK FEATURES

#### Simple

- Gateway-free distributed control
- Factory pre-commissioning
- Contractor friendly installation
- Occupancy/vacancy/daylight sensing

#### Scalable

- Virtually unlimited network size
- Spans small areas to large warehouses
- Flexible control strategies

#### Secure

- Optional cloud connectivity
- UL IoT platinum security rating
- DLC 5.0 compliant

### DIGITAL INSTALLATION TOOLS

Avi-On mobile apps provide intuitive, quick installation and commissioning. Pro tools are available to qualified installers.



Commissioning Mobile App



Zone Scanner Web App



Commissioning Pro App

### SYSTEM COMPONENTS



The Bluetooth® word mark and logos are registered trademarks owned by Bluetooth SIG, Inc. and any use of such marks by Avi-On is under license. Other trademarks and trade names are those of their respective owners.

### ACCESSORIES

WALL STATIONS	
AVI-2401AC	Scene controller - numbered 1-4, 120-277VAC
AVI-2402BAT	Scene controller - numbered 1-4, battery powered
AVI-2401AC-2	Dimmer with presets - percentages, 120-277VAC
AVI-2402BAT-2	Dimmer with presets - percentages, battery powered
AVI-SWITCH	AC paddle wall switch
AVI-DIMMER	Circuit dimmer switch
CONNECTIVITY	
AVI-2001RAB-01-P	Remote access bridge for projects 100 or greater
AVI-2001RAB-01-C	Remote access bridge for projects less than 100
AVI-KIT-NTM	Network time manager with Battery Backup
CEILING MOUNT SENSORS	
AVI-KIT-SEN-DUCM	PIR motion and ultrasonic sensor kit
AVI-KIT-SEN-ICM	PIR motion and photocell sensor kit

For load controllers and additional accessory info, see [hew.com/avi-on](http://hew.com/avi-on)

### ADDITIONAL DRIVER OPTIONS

Lumen restrictions apply: L40 max for DMX driver, L40 max for Lutron drivers, L50 max for ELDO drivers, L15 minimum for DIM LINE driver, L60 max for DIM LINE driver. R Mounting Type not available with DMX or FCJS controls. R Mounting Type requires 12" minimum plenum depth when specified with VRF/DBI controls. 347V may require stepdown transformer, see product builder at [hew.com/product-builder](http://hew.com/product-builder). I Mounting Type not available with Lutron controls.

CATALOG NUMBER	DESCRIPTION
DIM	Dimming driver prewired for 0-10V low voltage applications
DIM1	1% dimming driver prewired for 0-10V low voltage applications
DIM LINE	Line voltage dimming driver (TRIAC and ELV compatible at 120V only)
DA	Dimming driver with 12V auxiliary
DMX	0.1% dimming driver for DMX controls
LDE1	Lutron Hi-lume 1% EcoSystem dimming LED driver
VRF/DBI/LDE1	Lutron Vive integral fixture control, RF only (DFCSJ-OEM-RF), Lutron Hi-lume 1% EcoSystem dimming LED driver, and digital link interface
FCJS/DIM	Lutron Vive PowPak wireless fixture control with dimming driver
FCJS/DIM1	Lutron Vive PowPak wireless fixture control with 1% dimming driver



**BL neonVIEW**

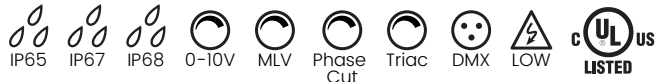
Diffused, Flexible, Linear LED Lighting  
Side Emitting, 24VDC, Constant Voltage

**SL Series**

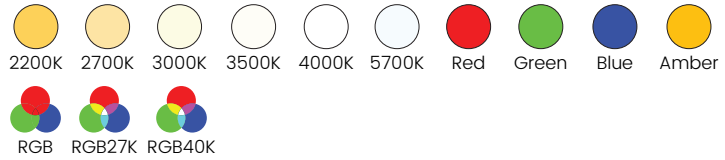
Printed



**Certification**



**Lighting**



Lamp	LED, SMD 5050, 33 Diodes/FT
Power	* 3.66 W/FT (White)
Beam Angle	120°
Average Life	50,000 Hours
Lumens	* 152 lm/FT (White 4000K)
Efficacy	* 41 lm/w (White 4000K)

**Electrical**

Control	0-10V, MLV, Phase-Cut, Triac, DMX
Input Voltage	24VDC
Max Input Current	4.12A (White)
Connections	18AWG, Copper Conductors
Operating Temperature	-4°F to 104°F (-20°C to 40°C)
Circuit	Class 2

**Mechanical**

Housing Construction	Injection Moulded White PVC
Cutting Increments	* 2.19" (5.56cm)
Maximum Run Length	* 27 (8.3M )
Medial Bend Radius	5.90" (150mm), bend medially
Environmental	IP67 Seamless Injection
Mounting	Clip, Track

**Accessories**

NVSTK	** Factory installed termination kit
NVSJC	Factory installed jumper cable
NVSCP	Surface Mounting Clip
NVSMCH	Surface Mounting Channel
NVSRMC	Recessed Mounting Clip
NVSRMCH	Recessed Mounting Channel

\* Please refer to the performance table on the following page

\*\*Multiple Lead Orientation options available

PROJECT

CLIENT

TYPE

Solid State Lighting is sensitive to power fluctuations  
Surge protection is highly recommended for all LED lighting products and should be on a designated circuit to protect against premature failure  
Lack of surge protection may void your warranty

For more information, please download the  
**BL LIGHTING** catalogue

**BL LIGHTING. ILLUMINATE EVERYTHING**

111 - 8838 Heather St. Vancouver, BC, Canada. V6P 3S8  
P: 1-604-874-4405 E: info@blighting.com  
Copyright © BL INNOVATIVE LIGHTING. All Rights Reserved.

**blighting.com**





**BL neonVIEW**

Diffused, Flexible, Linear LED Lighting  
Side Emitting, 24VDC, Constant Voltage

**SL Series**

Printed

**Performance**

CCT/Color	Load	Lumens	Efficacy	Max. Length	Cutting Increments
2200	3.66 W/FT	104 lm/FT	28 lm/W	25 ft 11 in	2.19 in
2700	3.66 W/FT	145 lm/FT	40 lm/W	25 ft 11 in	2.19 in
3000	3.66 W/FT	151 lm/FT	41 lm/W	25 ft 11 in	2.19 in
3500	3.66 W/FT	152 lm/FT	42 lm/W	25 ft 11 in	2.19 in
4000	3.66 W/FT	152 lm/FT	41 lm/W	25 ft 11 in	2.19 in
5700	3.66 W/FT	127 lm/FT	35 lm/W	25 ft 11 in	2.19 in
Red	2.20 W/FT	59 lm/FT	27 lm/W	44 ft 10 in	3.28 in
Green	3.66 W/FT	157 lm/FT	43 lm/W	25 ft 11 in	2.19 in
Blue	3.66 W/FT	25 lm/FT	7 lm/W	25 ft 11 in	2.19 in
Amber	2.20 W/FT	51 lm/FT	23 lm/W	44 ft 10 in	3.28 in
RGB	3.66 W/FT	92 lm/FT	25 lm/W	20 ft 9 in	3.28 in
RGB27K	4.57 W/FT	149 lm/FT	33 lm/W	20 ft 9 in	3.28 in
RGB40K	4.57 W/FT	149 lm/FT	33 lm/W	20 ft 9 in	3.28 in

**Ordering**

Product Name	CCT/Color	Ingress Protection	Lead Orientation	Mounting Accessories
BL neonVIEW SL	<input type="text"/> 22 = 2200 27 = 2700 30 = 3000 35 = 3500 40 = 4000 57 = 5700 RD = Red GN = Green BE = Blue AR = Amber M1 = RGB M2 = RGB27K M4 = RGB40K	<input type="text"/> 67 = IP67* 68 = IP68	<input type="text"/> NVSTKBC = Back Lead NVSTKEC = End Lead NVSTKRSC = Right Side Lead NVSTKLSC = Left Side Lead	<input type="text"/> NVSCP = Mounting Clip NVSMCH = Mounting Channel NVSRMC = Recessed Mounting Clip NVSRMCH = Recessed Mounting Channel

\* End Cap seamless option only available for IP67

PROJECT  CLIENT  TYPE

Solid State Lighting is sensitive to power fluctuations  
Surge protection is highly recommended for all LED lighting products and should be on a designated circuit to protect against premature failure  
Lack of surge protection may void your warranty

For more information, please download the  
**BL LIGHTING** catalogue

**BL LIGHTING. ILLUMINATE EVERYTHING**

111 - 8838 Heather St. Vancouver, BC, Canada. V6P 3S8  
P: 1-604-874-4405 E: info@blighting.com  
Copyright © BL INNOVATIVE LIGHTING. All Rights Reserved.

**blighting.com**





**BL neonVIEW**

Diffused, Flexible, Linear LED Lighting  
Side Emitting, 24VDC, Constant Voltage

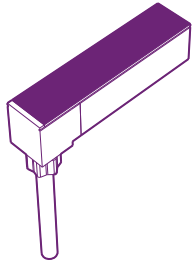
**SL Series**

Printed

**Lead Orientation**

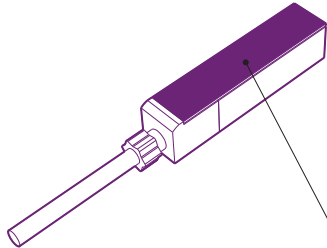
**Back Lead**

Part# NVSTK68SMBC



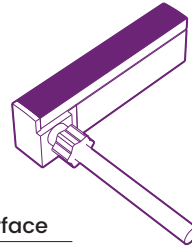
**End Lead**

Part# NVSTK68SMEC



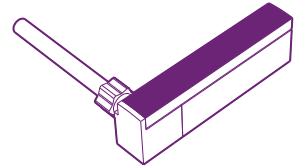
**Right Side Lead**

Part# NVSTK68SMRSC

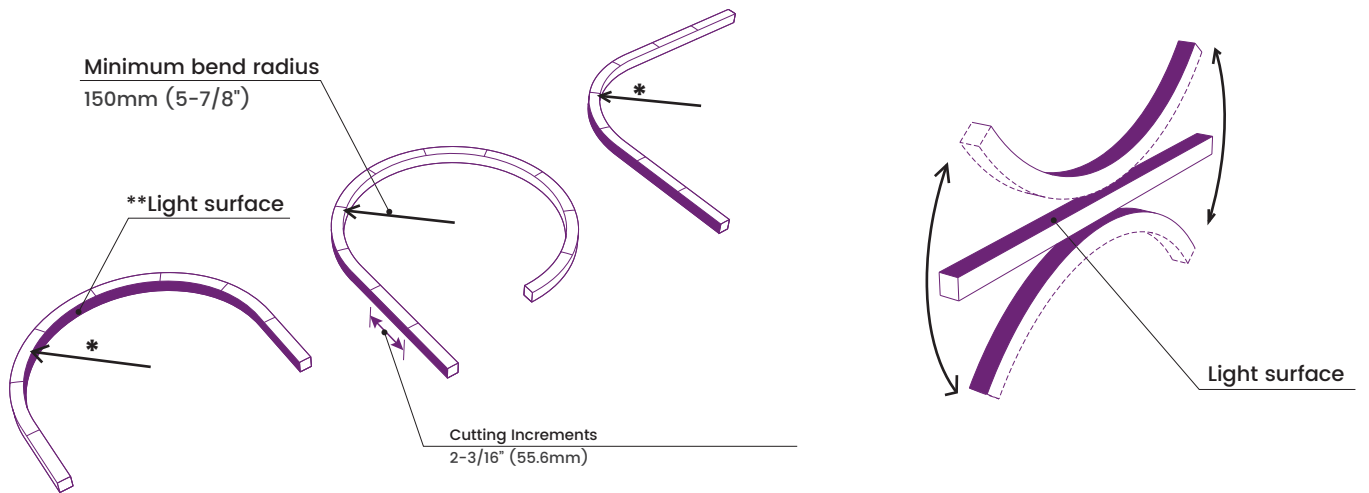


**Left Side Lead**

Part# NVSTK68SMLSC



**Minimum Bend Radius and Bend Orientations**



\*\*Light surface could be inside or outside.

**BL neonVIEW SL Series bends vertically**

\*Horizontally bend option available on  
BL neonVIEW DOME and FLAT Series

PROJECT

CLIENT

TYPE

Solid State Lighting is sensitive to power fluctuations  
Surge protection is highly recommended for all LED lighting products and should be on a designated circuit to protect against premature failure  
Lack of surge protection may void your warranty

For more information, please download the  
**BL LIGHTING** catalogue

**BL LIGHTING. ILLUMINATE EVERYTHING**

111 - 8838 Heather St. Vancouver, BC, Canada. V6P 3S8  
P: 1-604-874-4405 E: info@blighting.com  
Copyright © BL INNOVATIVE LIGHTING. All Rights Reserved.

**blighting.com**



**BL neonVIEW**

Diffused, Flexible, Linear LED Lighting  
Side Emitting, 24VDC, Constant Voltage

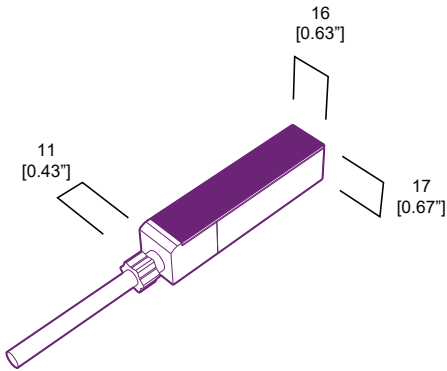
**SL Series**

Printed

**Dimensions (IP67 Seamless)**

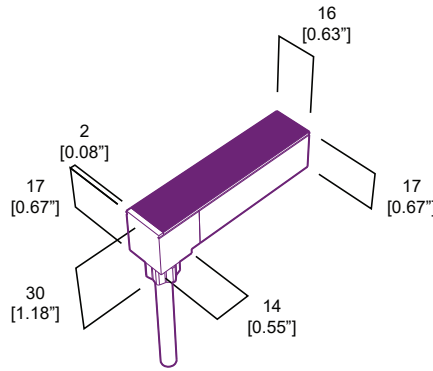
**End Lead**

Part# NVSTK67SMEC

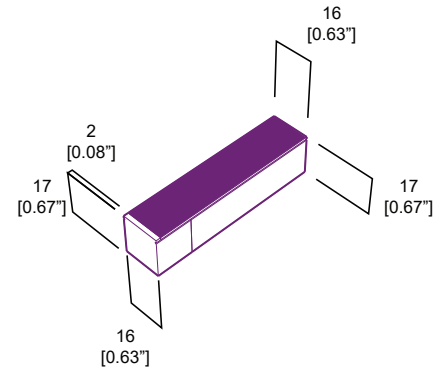


**Back Lead**

Part# NVTSK67SMBC

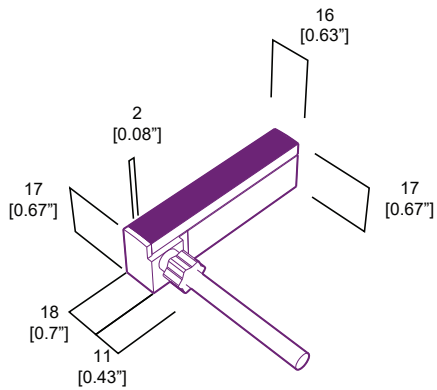


**End Cap**



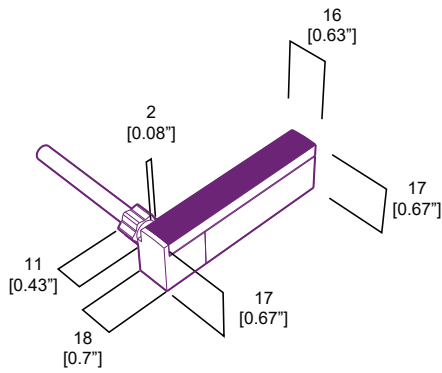
**Right Side Lead**

Part# NVSTK67SMRSC



**Left Side Lead**

Part# NVSTK67SMLSC



PROJECT

CLIENT

TYPE

Solid State Lighting is sensitive to power fluctuations  
Surge protection is highly recommended for all LED lighting products and should be on a designated circuit to protect against premature failure  
Lack of surge protection may void your warranty

For more information, please download the  
**BL LIGHTING** catalogue

**BL LIGHTING. ILLUMINATE EVERYTHING**

111 - 8838 Heather St. Vancouver, BC, Canada. V6P 3S8  
P: 1-604-874-4405 E: info@blighting.com  
Copyright © BL INNOVATIVE LIGHTING. All Rights Reserved.

**blighting.com**



**BL neonVIEW**

Diffused, Flexible, Linear LED Lighting  
Side Emitting, 24VDC, Constant Voltage

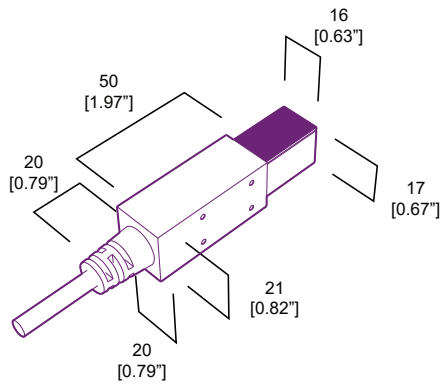
**SL Series**

Printed

**Dimensions (IP68)**

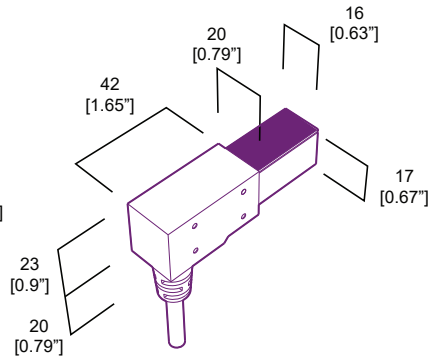
**End Lead**

Part# NVSTK68EC

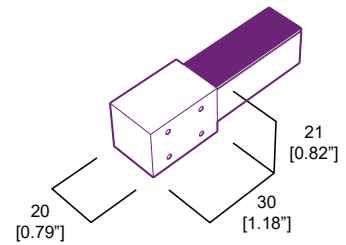


**Back Lead**

Part# NVSTK68BC

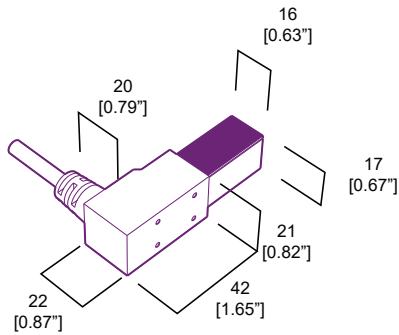


**End Cap**



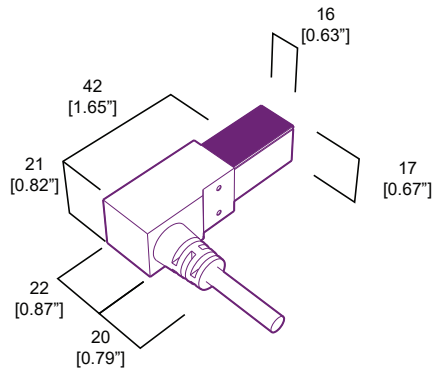
**Right Side Lead**

Part# NVSTK68RSC



**Left Side Lead**

Part# NVSTK68LSC



PROJECT

CLIENT

TYPE

Solid State Lighting is sensitive to power fluctuations  
Surge protection is highly recommended for all LED lighting products and should be on a designated circuit to protect against premature failure  
Lack of surge protection may void your warranty

For more information, please download the  
**BL LIGHTING** catalogue

**BL LIGHTING. ILLUMINATE EVERYTHING**

111 - 8838 Heather St. Vancouver, BC, Canada. V6P 3S8  
P: 1-604-874-4405 E: info@blighting.com  
Copyright © BL INNOVATIVE LIGHTING. All Rights Reserved.

[blighting.com](http://blighting.com)



**BL neonVIEW**

Diffused, Flexible, Linear LED Lighting  
Side Emitting, 24VDC, Constant Voltage

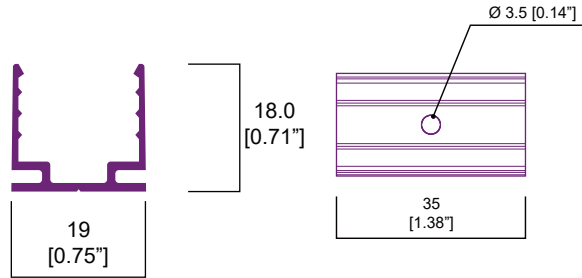
**SL Series**

Printed

**Accessories (Surface Mounting Clip and Channel)**

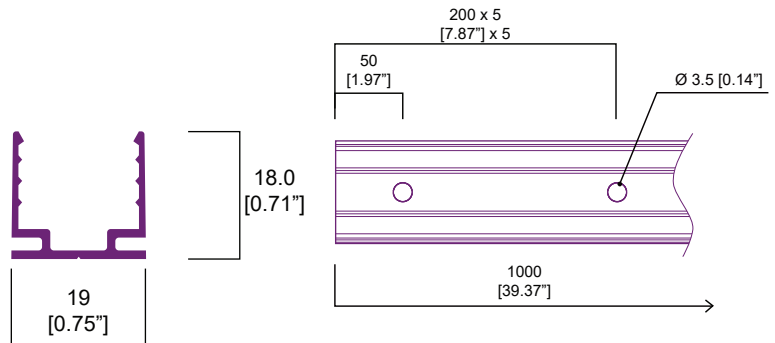
**Surface Mounting Clip**

Part# NVSCP



**Surface Mounting Channel**

Part# NVSMCH



For more detail, please download the CAD Drawing

PROJECT

CLIENT

TYPE

Solid State Lighting is sensitive to power fluctuations  
Surge protection is highly recommended for all LED lighting products and should be on a designated circuit to protect against premature failure  
Lack of surge protection may void your warranty

For more information, please download the  
**BL LIGHTING** catalogue

**BL LIGHTING. ILLUMINATE EVERYTHING**

111 - 8838 Heather St. Vancouver, BC, Canada. V6P 3S8  
P: 1-604-874-4405 E: info@blighting.com  
Copyright © BL INNOVATIVE LIGHTING. All Rights Reserved.

**blighting.com**



**BL neonVIEW**

Diffused, Flexible, Linear LED Lighting  
Side Emitting, 24VDC, Constant Voltage

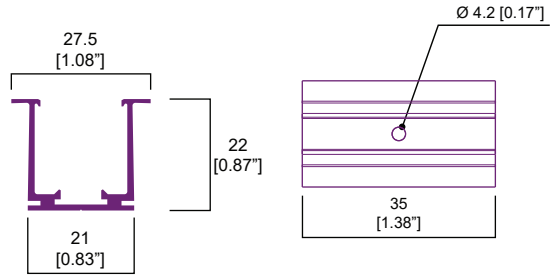
**SL Series**

Printed

**Accessories (Recessed Mounting Clip and Channel)**

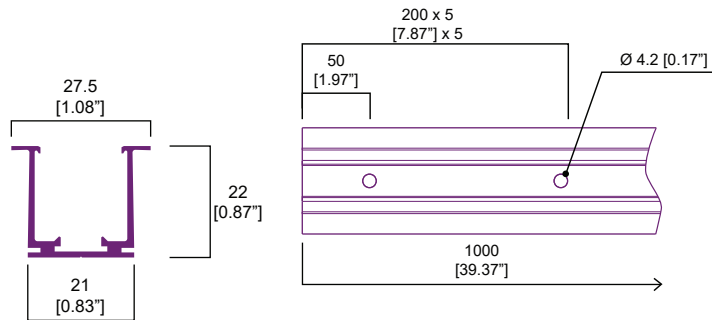
**Recessed Mounting Clip**

Part# NVSRMC



**Recessed Mounting Channel**

Part# NVSRMCH



For more detail, please download the CAD Drawing

PROJECT

CLIENT

TYPE

Solid State Lighting is sensitive to power fluctuations  
Surge protection is highly recommended for all LED lighting products and should be on a designated circuit to protect against premature failure  
Lack of surge protection may void your warranty

For more information, please download the  
**BL LIGHTING** catalogue

**BL LIGHTING. ILLUMINATE EVERYTHING**

111 - 8838 Heather St. Vancouver, BC, Canada. V6P 3S8  
P: 1-604-874-4405 E: info@blighting.com  
Copyright © BL INNOVATIVE LIGHTING. All Rights Reserved.

**blighting.com**



**DAWN  
EW53908**

WALL

PROJECT

**DESCRIPTION**

Formed aluminum with powder-coated finish, inlaid stone and glass diffuser. Available in 3 finishes



EW53908-BZ  
Bronze



EW53908-BK  
Black

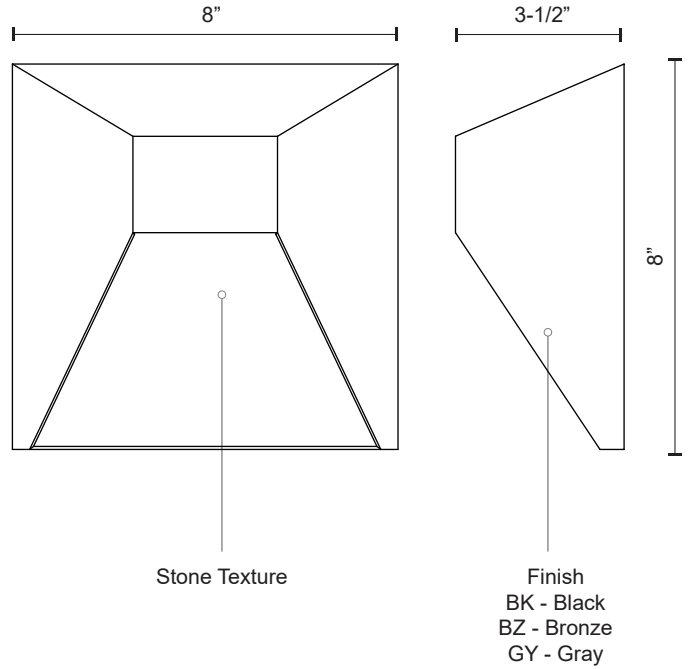


EW53908-GY  
Gray

**SPECIFICATION DETAILS**

\* For custom options, consult factory for details.

<b>Fixture Dimensions</b>	W8" x H8" x E3-1/2"
<b>Light Source</b>	AC LED Module
<b>Total Lumens</b>	600lm
<b>Wattage</b>	9W
<b>Delivered Lumens</b>	BK-203lm
<b>Voltage</b>	120V
<b>Color Temperature</b>	3000K
<b>CRI (Ra)</b>	90CRI
<b>Optional Color Temps</b>	2700K - 5000K Available, Minimum Order Quantities Apply
<b>LED Rated Life</b>	50,000 hours
<b>Dimming</b>	100% - 10%, ELV Dimmer (Not Included)
<b>ADA Compliant</b>	Yes
<b>Location</b>	Wet
<b>Warranty</b>	5 Years
<b>Compliance</b>	ADA



**KUZCO**

19054 28TH AVENUE  
SURREY - BC V3Z 6M3  
CANADA

WWW.KUZCOLIGHTING.COM

COMMENT



# FCBT690



<b>Date:</b>	<b>Approved:</b>
<b>Type:</b>	
<b>Fixture:</b>	
<b>Project:</b>	

**FCBT690** Exterior die-cast aluminum bollard with right angle head position tower. Available in 42" and 36" height. Designed and built to illuminate the ground and/or pathways safely without glare. **FCBT690** has an extremely wide-throw beam pattern covering 30'–35' wide and still measuring greater than 1 foot candle. It also has a forward throw of approximately 14 feet. Matches up with FCBT690S, 24" high version.

## SPECIFICATIONS

### PHYSICAL

<b>dimensions</b>	42"H or 36"H x 8"W x 9"D at top (3"D at base)
<b>weight</b>	12 lbs
<b>housing</b>	marine grade, corrosion resistant, heavy guage aluminum
<b>lens</b>	impact resistant, UV stabilized, clear, polycarbonate diffuser
<b>mounting</b>	heavy gauge base bracketing for bollard installation provides a unique mounting solution, so the tower body anchors flush to the ground without the appearance of a base plate, anchor bolts included (j-box by others)
<b>ingress protection</b>	IP66: dry, damp, or wet locations with extruded silicone gasket to seal out contaminants
<b>finish</b>	Six stage chemical iron phosphate conversion pre-treatment. Polyester powder coat finish, 18 µm Min., 5000hr salt spray test (ASTM B117) compliant with Florida / AAMA 2604 specification.

### PERFORMANCE

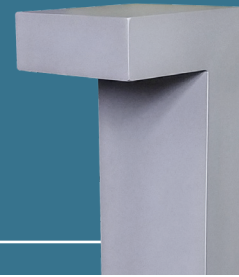
<b>color temperature</b>	2700K	3000K	3500K	4000K
<b>lumen output offerings</b>	479 lm	958 lm	1436 lm	1915 lm
<b>lifetime</b>	> 70,000 hours / L70 or better			
<b>color consistency</b>	3 SDCM / 85 CRI			
<b>operating temperature</b>	-49°F to 104°F (-45°C to 40°C)			
<b>junction temperature</b>	73°C @ T <sup>a</sup> 25°C			
<b>warranty</b>	5-Year limited warranty (refer to website for details)			

### ELECTRICAL

<b>input voltage</b>	Universal 120-277VAC   optional: 347 VAC (integral)   480 VAC (integral)
<b>power supply</b>	Integral Class II, electronic, high power factor > 94% @120V
<b>certification</b>	ETL/cETL Listed
<b>standards</b>	UL1598 / CSA C22.2 No. 250.0; UI 8750 / CSA C22.2 No. 250.13 / IES LM-79 / LM-80
<b>power consumption</b>	7W (479 lm) minimum, 26W (1915 lm) maximum
<b>dimming</b>	standard: 0-10V (10%)   optional: ELV (120V only) / DMX (integral)/DALI (integral)

Due to continuous development and improvements, specifications are subject to change without notice. FC Lighting reserves the right to change lab test details or specifications without notice. Product use certifies agreement to FC Lighting terms and conditions. FCC Series Cylinder Lights are engineered and produced in our Illinois manufacturing facility.





## Ordering Information

### ORDERING INFORMATION

FCBT690											
SERIES	VOLTAGE	HEIGHT	CCT	LUMENS	FINISH	OPTIONS					
<b>FCBT690</b>	<b>UNV</b>	UNV 120V-277V	<b>42</b> 42"	<b>27K</b> 2700K	<b>5L</b> 479 lm (7W)	<b>BKE</b> Black	<b>CD</b> Cane Detector				
	<b>347V</b>	347V AC ( <i>Integral</i> )	<b>36</b> 36"	<b>3K</b> 3000K	<b>10L</b> 958 lm (13W)	<b>BZE</b> Bronze	<b>LD</b> 0-10V Dimming (Standard)				
	<b>480V</b>	480V AC ( <i>Integral</i> )		<b>35K</b> 3500K	<b>14L</b> 1436 lm (20W)	<b>SLE</b> Silver	<b>ELV</b> ELV Dimming ( <i>120 Only</i> )				
				<b>4K</b> 4000K	<b>19L</b> 1915 lm (26W)	<b>WHE</b> White	<b>DMX</b> DMX Dimming ( <i>Integral</i> )				
					<b>CC</b> Custom Color	<b>DALI</b> DALI Dimming ( <i>Integral</i> )	<b>SP20</b> 20kV Surge Protector				
							<b>BBU</b> Battery Backup, Integral (Not w/ ELV)				
							<b>SP20-BBU</b> (2) 20kV Surge Protectors (1/LED driver, 1/BBU) and Battery Backup (Integral)				
							<b>HS</b> 180° House Shield				
							<b>HS2</b> 270° House Shield				
							<b>LAB<sup>1</sup></b> Less Anchor Bolt Kit - for shipment separate of Anchor Bolt Kit				

### ANCHOR BOLT KITS

#### A00690

Anchor Bolt Kit - Complete Anchor Bolt Kit shipped in advance of fixture.

<sup>1</sup> **Note:** Fixture must be mounted into FC Lighting supplied Anchor Bolt Kit shipped with or separate of fixture.

### Consult Factory for other options and configurations.

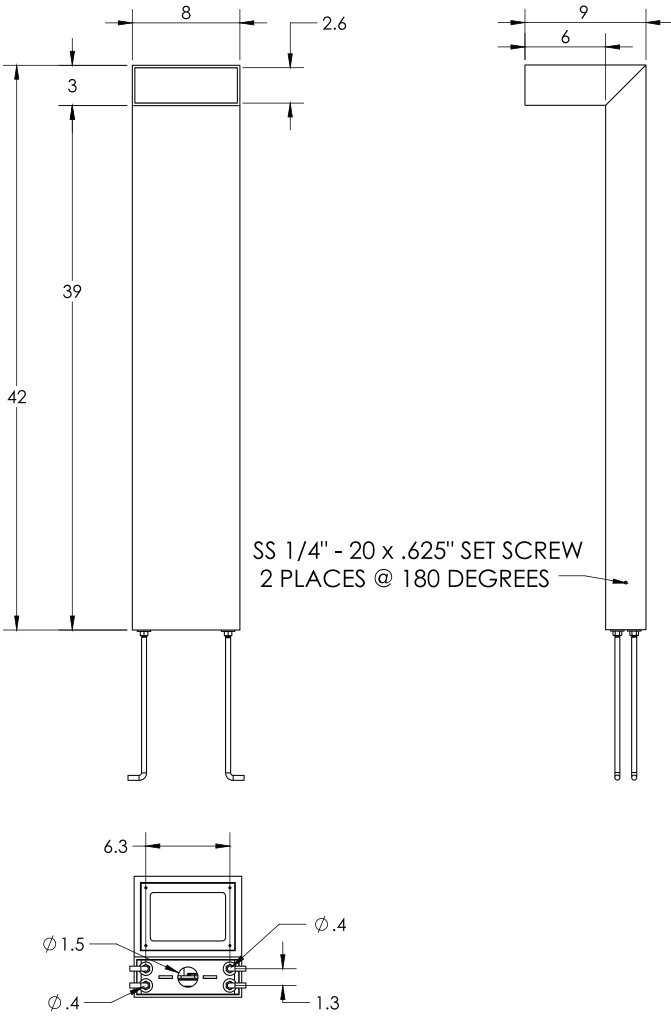
To ensure you receive proper configurations for your lighting specifications, contact us directly about any unique application requirements. This may include but not be limited to lumen output, mounting needs, or electrical requirements.

Due to continuous development and improvements, specifications are subject to change without notice. FC Lighting reserves the right to change lab test details or specifications without notice. Product use certifies agreement to FC Lighting terms and conditions. FCC Series Cylinder Lights are engineered and produced in our Illinois manufacturing facility.



## Physical

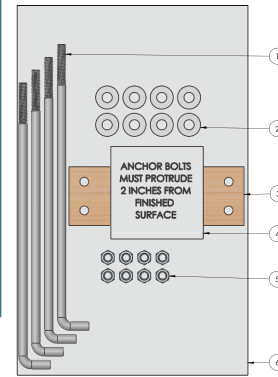
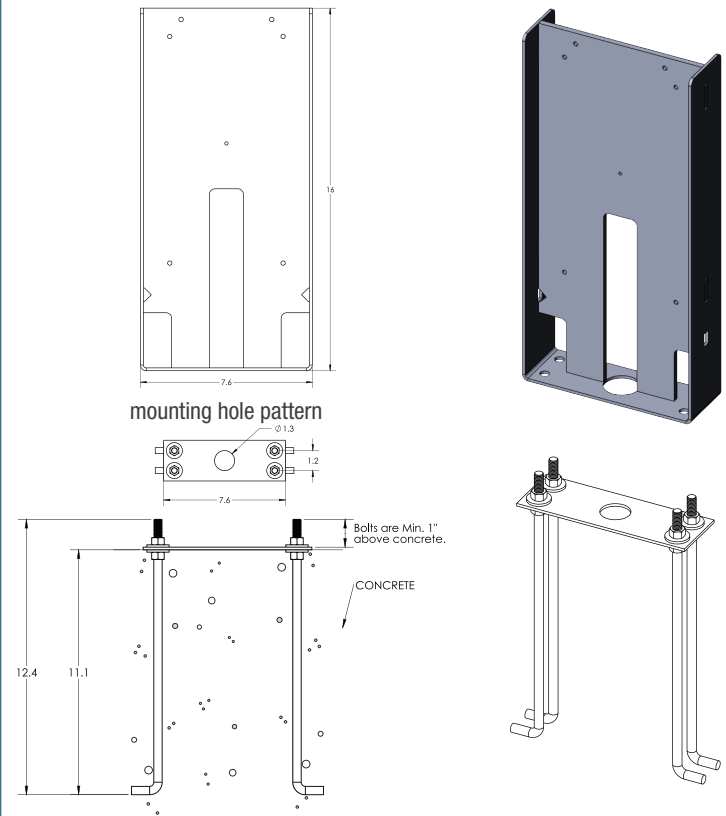
### PRODUCT DIMENSIONS - STANDARD PRODUCT



### MOUNTING

<b>Mounting Plate Size</b>	7.6" x 3"
<b>Anchor Bolt Template Assembly</b>	A00690

(Includes the below items listed)



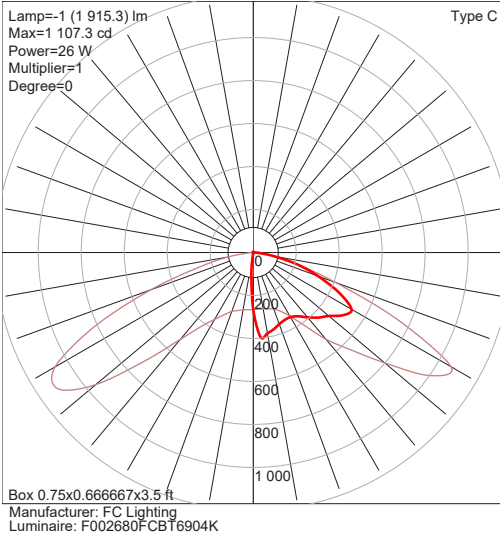
#	ANCHOR BOLT TEMPLATE ASSEMBLY (A00690) (Includes below items)	QTY.
1	3/8" x 12" x 1" L hook Anchor Bolt (94523B-4)	4
2	3/8" FLAT WASHER H-D GALV STEEL	8
3	ANCHOR BOLT WOOD TEMPLATE	1
4	ANCHOR BOLT LABEL	1
5	3/8"-16 HEX NUT H-D GALV STEEL	8
6	PLASTIC BAG, SEALED	1

Due to continuous development and improvements, specifications are subject to change without notice. FC Lighting reserves the right to change lab test details or specifications without notice. Product use certifies agreement to FC Lighting terms and conditions. FCC Series Cylinder Lights are engineered and produced in our Illinois manufacturing facility.



# Photometry & Accessories

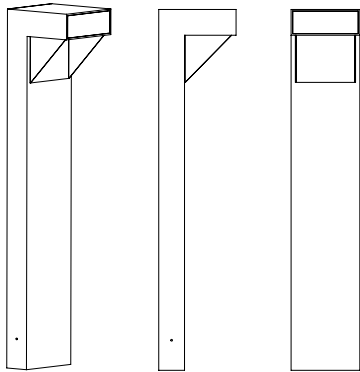
## OPTICAL DISTRIBUTION



## ACCESSORIES

FIND IES FILES ON FCLIGHTING.COM

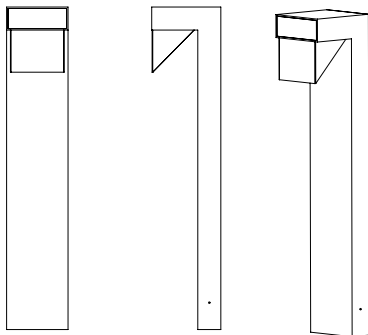
### HS - House Shield that blocks light out the sides



Use the 180° House Side Shield (HS) to protect beach side areas where fixtures are installed.

**HS Height:** 5.5" H

### HS2 - House Shield that blocks light out the front

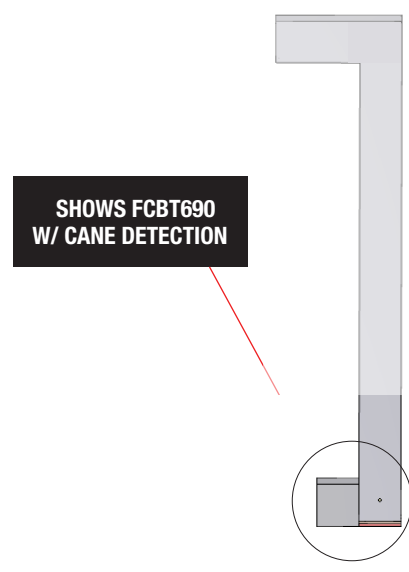


Use the (HS2) front House Shield to protect beach side areas where fixtures are installed.

**HS Height:** 5.5" H

### CD - Cane Detector

<b>foot depth</b>	add 3" D at column base
<b>foot width</b>	8" W



**SHOWS FCBT690 W/ CANE DETECTION**

Due to continuous development and improvements, specifications are subject to change without notice. FC Lighting reserves the right to change lab test details or specifications without notice. Product use certifies agreement to FC Lighting terms and conditions. FCC Series Cylinder Lights are engineered and produced in our Illinois manufacturing facility.

We reserve the right to revise the design or components of any product without notice.

# Liverpool 2

## FULL CUT-OFF WALL PACK FAMILY

### Low Height Wall Mount

### Vandal Resistant LED

CATALOG #		TYPE
PROJECT/LOCATION		
APPROVED BY		

#### SPECIFICATIONS

- HOUSING — All aluminum 14-gauge construction, seam welded and ground smooth for watertight seal. Housing sealed at factory and does not require opening for installation. Finished in textured bronze oven baked polyester powder coat as standard.
- MOUNTING PLATE — Die formed 14-gauge aluminum wall mount plate. Mounts to all standard junction boxes. Can also be four-point surface mounted for when surface conduit is required.
- LED MOUNTING PLATE — 14-gauge aluminum, designed to thermally manage LED light engines for long life and performance. Finished sky white polyester powder coat.
- LENS — 1/8" Clear Polycarbonate (83) is standard. Optional: 1/8" K12 Prismatic Polycarbonate (80), 5/32" K12 Prismatic Polycarbonate (81), or 1/8" Frosted Polycarbonate Lens (CFP).
- LENS FASTENERS — 14-gauge die formed aluminum. Secures lens with a watertight seal into housing.
- GASKETING — High temperature, non-aging black EPDM or neoprene rubber applied around the entire lens perimeter and housing plate to provide a watertight seal and protect from environmental contaminants.
- DRIVER — Universal Voltage 120/277V Electronic Driver with 0-10V dimming. Optional: 347V driver
- LIGHT ENGINE — High efficacy, long life LED light engines offered in 3000K, 4000K and 5000K.
- EMERGENCY BACKUP — Integral Emergency Battery. Cold Weather Available.
- COMPLIANCE — Built to comply with U.S. and Canadian safety standards. Suitable for Wet Locations. **Made in USA / Buy America Compliant / Buy American Act.**



#### ORDERING INFO

Series	Style	Distribution	Wattage	CCT	CRI	Voltage	Finish	Options

#### ORDERING GUIDE:

##### SERIES

- LV2 = Liverpool 2 Series  
— 13-5/32"W x 12 1/4"H x 11-3/8"D

##### STYLE

- A = Direct (Downlight)
- B = Indirect (Uplight - Indoor Only)

##### DISTRIBUTION TYPE

- FT = Forward Throw Distribution
- WS = Wide Spread Distribution

##### WATTAGE

- LED15 = LED 15 Watt (2015 Lumens)
- LED20 = LED 20 Watt (2750 Lumens)
- LED25 = LED 25 Watt (3325 Lumens)
- LED30 = LED 30 Watt (3850 Lumens)
- LED40 = LED 40 Watt (4275 Lumens)

##### COLOR TEMPERATURE (CCT)

- 3K = ±3000K range LED
- 35K = ±3500K range LED
- 4K = ±4000K range LED
- 5K = ±5000K range LED

##### COLOR RENDERING INDEX (CRI)

- 80CRI = 80 Color Rendering Index — STANDARD
- 90CRI = 90 Color Rendering Index

##### VOLTAGE

- 347 = 347 Volts
- UNV = Universal Volt (120-277v) Driver

##### STANDARD FINISH

- BK = Black Finish
- BZ = Bronze Finish - Standard
- PNA = Painted Natural Aluminum
- WH = White Finish

##### PREMIUM UPCHARGE FINISH

- CC = Custom Color (Visit [www.ralcolor.com](http://www.ralcolor.com))  
— Provide RAL# or Make-to-Match Color Chip

##### INHIBITOR FINISH

- +AMW = Anti-Microbial White Finish
- +NAT = Epoxy Coating for Chlorine Environments (LED Boards Only)
- +OFC = Epoxy Coating for Ocean Front Environments (Housing Only)

##### LENS OPTIONS

- 80 = .125" K12 Prismatic Polycarbonate
- 81 = .156" K12 Prismatic Polycarbonate
- 83 = .125" Clear Polycarbonate — STANDARD
- CFP = Clear Frosted Polycarbonate Lens Filter

##### PHOTOCELL OPTION

- 9328 = Photocell Button (120/277V)

##### CONTROL OPTIONS

MANUAL CONTROL (Wall Switch or Control System)

- Note: 0-10V 100%-30% is Standard
- D7A = 0-10VDC LED Dimming Driver (100-10%)
- D7B = 0-10VDC LED Dimming Driver (100-1%)

OR

Sensor Control (Sensor Integral to Fixture)

Note: See Accessory Options for Required Remote Controller

- OCC = Occupancy Sensing | Motion Sensor Integral<sup>20</sup>  
— Microwave / Single Feed / 120/277V Only  
— Standby Dim Level Presets: ON/OFF (0%/100%)
- BLD = Bi-Level Dimming | Motion Sensor Integral<sup>20</sup>  
— Microwave / Single Feed / 120/277V Only  
— Standby Dim Level Presets:  
10% / 20% / 30% (Standard) / 50%
- BLDA = Bi-Level Dimming | Motion Sensor Integral<sup>20</sup>  
— Ambient Light Sensing Feature (AMB)  
— Microwave / Single Feed / 120/277V Only  
— Standby Dim Level Presets:  
10% / 20% / 30% (Standard) / 50%  
— Bi-Level Control Initiated at AMB Light Level Preset

##### MISC OPTIONS

- FUS = Single Fusing
- DFUS = Double Fusing
- TP = Tamperproof Screws

##### EMERGENCY BATTERY OPTIONS <sup>30</sup> <sup>35</sup>

Meets California Energy Commission Title 20:  
(CEC-400-2014-009-CMF) Efficiency Standards

- EL8W = Integral LED 8 Watt
- EL16W = Integral LED 16 Watt
- REL8W = Remote LED 8 Watt
- REL16W = Remote LED 16 Watt

##### Cold Weather Emergency Batteries:

Operating Temp: -20°C thru 50°C  
NON-CEC Compliant

- EL10W-CW = Integral LED 10 Watt (Cold Weather)
- REL10W-CW = Remote LED 10 Watt (Cold Weather)

##### ACCESSORY OPTIONS (order as a separate line)

REMT0008 = Remote Controller for Sensor Options

##### NOTES:

- <sup>20</sup> Max mounting height of fixture is 18' (18 feet)
- <sup>30</sup> Max WHIP length of the REL is 8 feet.
- <sup>35</sup> Final selection of the Battery Pack under discretion of Factory



# Liverpool 2

FULL CUT-OFF WALL PACK FAMILY

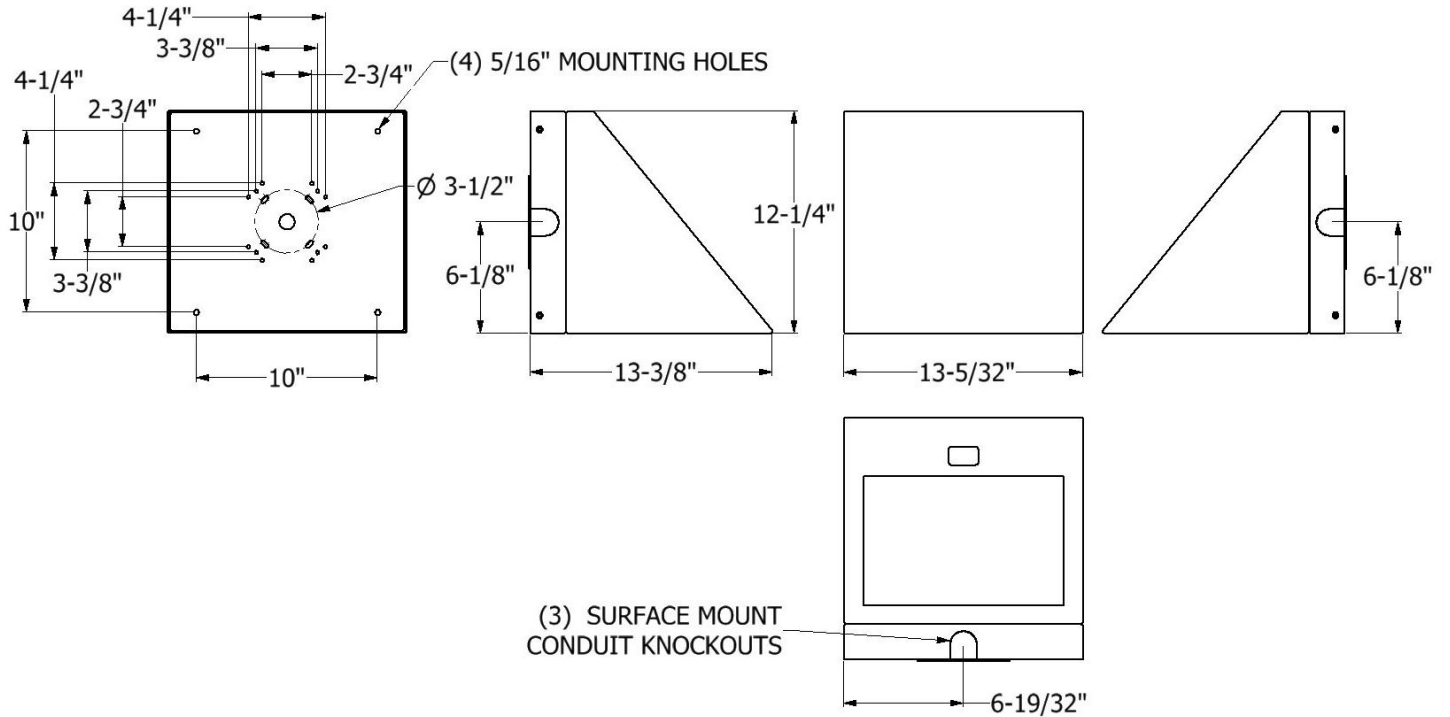
Low Height Wall Mount

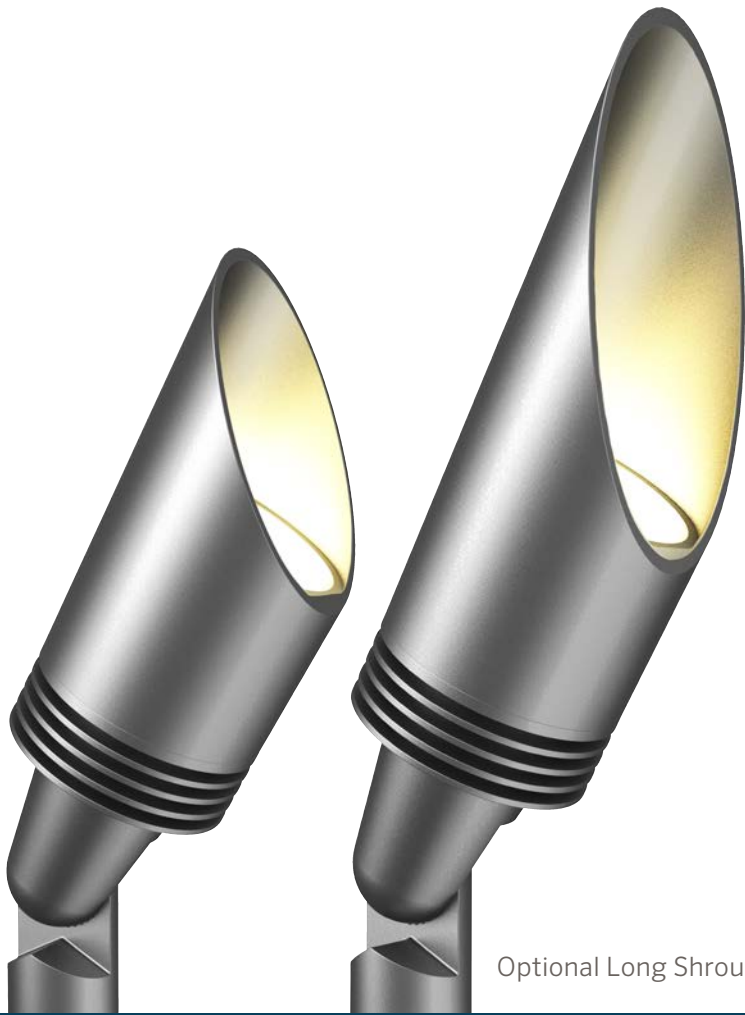
Vandal Resistant LED

We reserve the right to revise the design or components of any product without notice.

CATALOG #		TYPE
PROJECT/LOCATION		
APPROVED BY		

## DIMENSIONS





Optional Long Shroud

---

TYPE

---

CATALOG #

---

PROJECT

---

NOTES

---

## LED DIRECTIONAL LUMINAIRE

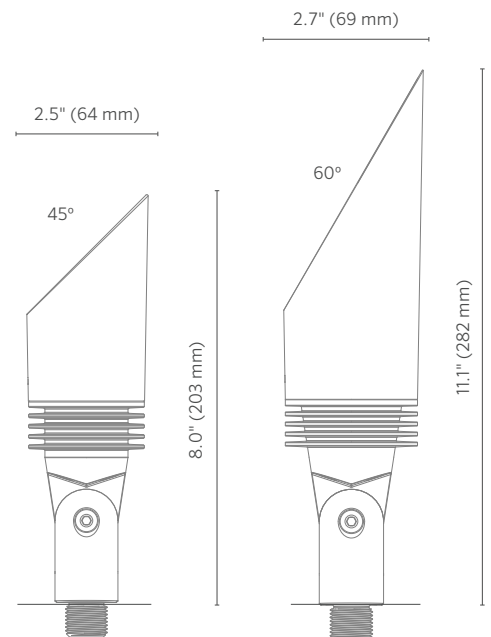
---

### dAxis-7

Expertly engineered with 45° or 60° shroud options to illuminate a variety of spaces in 3, 6, or 9 LED. An RGBW version is also available for use with **ZDCLink®** Controllers.

#### Quick Facts

- Die-cast aluminum
- Two-layer, marine-grade anodization and powder-coat finish
- Lumileds® integrated LEDs
- ProAim® adjustability
- Tamper-resistant features
- Compatible with Luxor® Technology
- Phase or Luxor dimmable
- Input voltage: 10 to 15 Vac/Vdc



# dAxis-7 SPECIFICATIONS

Output	3 LED	6 LED	9 LED	ZDC
<b>Total Lumens<sup>†</sup></b>	289	512	751	389
<b>Input Voltage</b>	10 to 15 Vac/Vdc	10 to 15 Vac/Vdc	10 to 15 Vac/Vdc	11 to 15 Vac/Vdc
<b>Input Power</b>	4.0 W	7.7 W	11.1 W	9.1 W
<b>Power Consumption (VA)</b>	4.4 W	9.3 W	12.2 W	11.0 W
<b>Efficacy (lm/W)</b>	74	66	68	32
<b>Color Rendering Index (CRI)</b>	83	83	83	80+
<b>Center Beam Candlepower*</b>				
<b>Spot (20°)</b>	464	1,094	1,446	172
<b>Dimming</b>				
<b>Primary Dimming (Transformer)</b>	Consult transformer specifications			
<b>Secondary Dimming (Luminaire)</b>	Phase-cut**	Phase-cut**	Phase-cut**	Luxor
<b>RGBW Available</b>	No	No	No	Yes
<b>Luxor Compatibility</b>				
<b>Default</b>	Zoning	Zoning	Zoning	--
<b>ZD Option</b>	Zoning/Dimming	Zoning/Dimming	Zoning/Dimming	--
<b>ZDC Option</b>	--	--	--	Zoning/Dimming/Color
<b>Minimum Rated Life L70 (hrs)</b>	72,000	72,000	72,000	55,000

<sup>†</sup> Measured using the 2,700K CCT option.

\* Value measured with Flood (35°) optic. See .ies files for Spot (20°) or Wide Flood (60°) photometry.

\*\* For optimal performance, use a trailing-edge (reverse phase-cut) dimmer.

## Lumascap

Lumascap transforms spaces with precision-engineered lighting solutions, proven to perform. Since 1991, customers have relied on us as a leading manufacturer of high-quality, innovative luminaires that solve their toughest lighting challenges. Our global experts combine sophisticated design, advanced technologies, quality materials, and rigorous testing to manufacture a comprehensive range of lighting systems that consistently exceed performance expectations. Lumascap is a member of the Hunter Industries Family of Companies. Learn more at [lumascap.com](http://lumascap.com).

## Materials

Die-cast A380 aluminum housing and shroud with stainless steel hardware. Die-cast zinc/aluminum alloy knuckle.

## Lamp

Integrated module with Lumileds LEDs. Gold-plated connectors and conformal coated for maximum reliability and corrosion resistance. Proprietary onboard intelligent driver uses firmware-controlled temperature regulation, maximizing LED life. Field upgradable and replaceable, the LEDs are rated to 72,000 hrs. Maximum drive current: 1 A.

## Optics

Color temperature and beam angle defined by part number. Beam angle is field serviceable (specify separately). For additional color filters, spread lenses, hex baffles, and so on, use MR-16 sized accessories (MR-16: 1.95"/49.5 mm dia. x 1.1 mm thickness). Beam angle is calculated using the LM-79 method for SSL luminaires.

## Socket

Socket contains MoistureBlock™ Technology, preventing moisture from wicking up into sealed areas of the luminaire.

## Wiring

18 AWG (1 mm); SPT-1W; 220°F (105°C); 300 V; 10' (3 m) length

## Power

Input 10 to 15 Vac/Vdc, 50/60 Hz. Remote transformer required (specify separately).

## Housing

Die-cast aluminum housing with capacity for 3 LED, 6 LED, 9 LED, or large-sized ZDC integrated LEDs.

## Shroud

Die-cast aluminum shroud with 45° cutoff (standard) or 60° long shroud option.

## Knuckle

Die-cast zinc/aluminum alloy knuckle with ½"-14 NPSM threads. Compress and lock features prevent slip after installation. Offers 9° increments of adjustability over 220° of vertical adjustment.

## Lens

Tempered glass lens with shock resistance and high tolerance for thermal expansion and stress.

## Finish

Two-layer protection of sulfuric acid anodization and polyester TGIC powder-coat finish, providing superior outdoor weathering in all conditions. Tested to ASTM standards.

## Weight

1.9 lbs (0.9 kg)

## Hardware

Uses ¼"-20 x ¾" stainless steel angle lock screw with #8-32 x ¾" setscrew. Includes ABS ProAim Ratcheting Spike for 360° horizontal rotation in 10° increments. Tamper-resistant locking screw included.

## Ambient Operating Temperature

0°F to 140°F (-18°C to 60°C)

## Control

The ZDLink Controller utilizes Luxor Technology to zone light luminaires in up to 250 groups, dim each group in 1% increments between 0% and 100%, or change to one of 30,000 colors with RGBW LEDs. Select the ZD option for zoning/dimming or ZDC for zoning/dimming/color. Standard luminaire is zoneable with ZDLink.

## Sustainability

Innovation meets conservation in the design and manufacturing of our products. Where we can, we use recycled materials while maintaining superior functionality. Our LED products provide high-quality light at optimal energy efficiency, lifespan, and durability.

## Installation Requirements

Designed for installation in the upward direction only.

## International Compliance

Compliant per IEC 60598-1 and IEC 60598-2-4 by selecting the "e" version.

## Manufacturing

ISO 9001:2015 certified facility

## Warranty

5-year limited warranty

## Listings





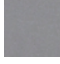
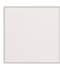






Find more product resources at [lumascap.com](http://lumascap.com)





# dAxis-7 ORDERING INFORMATION

Luminaire	Control + Output	Color Temp	Optics	Compliance	Options	Finish	
dAXS-7*	■ 3LED Zone, 289 lm	■ K27 2,700K	■ SP 20°	■ [default] ½" NPSM thread, UL Listed	■ [default] Standard Shroud (45°)	■ BL Black	
	■ 6LED Zone, 512 lm		■ FL 35°	■ e Bracket Mount, CE Certified	■ LS Long Shroud (60°)	■ AG Anthracite Gray	
	■ 9LED Zone, 751 lm		■ WF 60°			■ BT Basalt Gray	
	■ ZD Zone/Dim, 9 LED, 751 lm					■ GH Graphite Gray	
	■ ZDC Zone/Dim/Color, 389 lm	■ [default] RGBW	■ [default] 45°			■ SL Anodic Silver	
						■ WT White	
						■ DB Dark Bronze	
						■ LT Latte	
						■ DA Dark Aluminum	
						■ CC Custom RAL	

EXAMPLE LUMINAIRE CONFIGURATION: dAXS-7-ZD-K27-FL-SL<sup>†</sup>

dAXS-7 -  -  -  -  -  -

\* Ships with ProAim Ratcheting Spike.

<sup>†</sup> Hyphens are for readability purposes only.

# dAxis-7 ORDERING INFORMATION

## MOUNTING OPTIONS: Specify Separately




Item	Code <sup>†</sup>	
■ <b>POST MOUNT</b> 2.5" (64 mm) x 13" (330 mm)	PM-XX*	
■ <b>GROUND MOUNT</b> 2.7" (67 mm) Diameter 	GM-XX*	
■ <b>GUTTER MOUNT</b> 4.0" (102 mm) x 4.0" (102 mm)	GM-SS	
■ <b>VERSABOX® MOUNT</b> 2.2" (57 mm) x 1.5" (39 mm)	VB-050-XX*	
■ <b>SUPER J-BOX SPIKE</b> 2.5" (64 mm) x 12" (305 mm)	SJ-XX*	
■ <b>MINI J-BOX</b> 3.5" (89 mm) x 1.3" (34 mm)	MJB-050-XX*	
■ <b>TREEBOX® MOUNT</b> 5.4" (138 mm) x 1.9" (49 mm) 	TB-XX*	
■ <b>WALL PLATES</b> 3.4" (85 mm) x 5.1" (129 mm)	WP-1G-050-XX*	
■ <b>WALL PLATES</b> 5.0" (127 mm) Diameter	WP-RD-050-XX*	

\* XX = Finish code

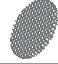
\*\* YY = Riser height in inches (6" increments between 6" and 36"; 150 mm increments between 150 mm and 900 mm).

<sup>†</sup> Hyphens are for readability purposes only.



## COUPLING OPTIONS: Specify Separately

Item	Code <sup>†</sup>	
■ <b>STRAIGHT</b> 1.3" (32 mm) x 2.0" (51 mm)	COUP-XX*	
■ <b>90° ELBOW</b> 1.3" (32 mm) x 2.0" (51 mm)	ELBW-050-XX*	
■ <b>T-MOUNT</b> 3.0" (76 mm) x 2.2" (57 mm)	TMNT-050-XX*	

## LENS ACCESSORIES: Specify Separately

Item	Code <sup>†</sup>	
■ <b>HEX BAFFLE</b> MR-16 Size	250015260000	
■ <b>LINEAR SPREAD LENS</b> MR-16 Size	250013550000	
■ <b>SOLITE SPREAD LENS</b> MR-16 Size	250015240000	

## RISER OPTIONS: Specify Separately

Item	Code <sup>†</sup>	
■ <b>RISER</b> 0.8" (21 mm) Diameter	YY**-R-XX*	
■ <b>SIGN LIGHT RISER</b> 0.8" (21 mm) Diameter with 45° Inward Curve	YY**-R-SL-XX*	

# dAxis-7 PHOTOMETRICS

## dAxis-7 3 LED Illuminance at a Distance

Feet (Meters)	Center Beam	Beam Width	
	Foot-Candles (Lux)	Vertical 35.5°	Horizontal 35.8°
5' (1.5 m)	23 fc (245 lx)	3.2' (1.0 m)	3.2' (1.0 m)
10' (3.0 m)	5.7 fc (61 lx)	6.4' (2.0 m)	6.5' (2.0 m)
15' (4.6 m)	2.5 fc (27 lx)	9.6' (2.9 m)	9.7' (3.0 m)
20' (6.1 m)	1.4 fc (15 lx)	12.8' (3.9 m)	12.9' (3.9 m)
25' (7.6 m)	0.9 fc (10 lx)	16' (4.9 m)	16.1' (4.9 m)
30' (9.1 m)	0.6 fc (7 lx)	19.2' (5.9 m)	19.4' (5.9 m)

## dAxis-7 9 LED Illuminance at a Distance

Feet (Meters)	Center Beam	Beam Width	
	Foot-Candles (Lux)	Vertical 19.3°	Horizontal 19.9°
5' (1.5 m)	58 fc (622 lx)	3.0' (0.9 m)	3.1' (0.9 m)
10' (3.0 m)	15 fc (156 lx)	5.9' (1.8 m)	6.2' (1.9 m)
15' (4.6 m)	6.4 fc (69 lx)	8.0' (2.7 m)	9.2' (2.8 m)
20' (6.1 m)	3.6 fc (39 lx)	11.8' (3.6 m)	12.3' (3.7 m)
25' (7.6 m)	2.3 fc (25 lx)	14.8' (4.5 m)	15.4' (4.7 m)
30' (9.1 m)	1.6 fc (17 lx)	17.7' (5.4 m)	18.5' (5.6 m)

Note: Photometric data displayed using 3,900K with a 20° beam angle. ZDC option defaults to a Wide Flood.

## dAxis-7 6 LED Illuminance at a Distance

Feet (Meters)	Center Beam	Beam Width	
	Foot-Candles (Lux)	Vertical 19.3°	Horizontal 19.9°
5' (1.5 m)	44 fc (469 lx)	2.9' (0.8 m)	3.1' (0.9 m)
10' (3.0 m)	11 fc (117 lx)	5.8' (1.8 m)	6.1' (1.9 m)
15' (4.6 m)	4.8 fc (52 lx)	8.7' (2.7 m)	9.2' (2.8 m)
20' (6.1 m)	2.7 fc (29 lx)	11.6' (3.5 m)	12.2' (3.7 m)
25' (7.6 m)	1.7 fc (19 lx)	14.5' (4.4 m)	15.3' (4.7 m)
30' (9.1 m)	1.2 fc (13 lx)	17.4' (3.3 m)	18.3' (5.6 m)

## dAxis-7 ZDC Illuminance at a Distance

Feet (Meters)	Center Beam	Beam Width	
	Foot-Candles (Lux)	Vertical 38.3°	Horizontal 40.4°
5' (1.5 m)	7.5 fc (80 lx)	3.5' (1.1 m)	3.7' (1.1 m)
10' (3.0 m)	1.9 fc (20 lx)	6.9' (2.1 m)	7.4' (2.3 m)
15' (4.6 m)	0.8 fc (9 lx)	10.4' (3.2 m)	11.1' (3.4 m)
20' (6.1 m)	0.5 fc (5 lx)	13.9' (4.2 m)	14.7' (4.5 m)
25' (7.6 m)	0.3 fc (3 lx)	17.4' (5.3 m)	18.4' (5.6 m)
30' (9.1 m)	0.2 fc (2 lx)	22.1' (6.3 m)	22.1' (6.7 m)

Lumileds is a trademark of Lumileds Holding B.V. MoistureBlock is a trademark of DSM&T Co. Inc.

© 2022 Hunter Industries™. Hunter, Lumascope, all related logos, and all other trademarks are property of Hunter Industries, registered in the U.S. and other countries.



Catalog #: \_\_\_\_\_

Project: \_\_\_\_\_

Prepared By: \_\_\_\_\_

Date: \_\_\_\_\_

# Mirada Small Area (MRS)

## Outdoor LED Area Light



IP66 IK08



### OVERVIEW

Lumen Package	6,000 - 24,000
Wattage Range	41 - 196
Efficacy Range (LPW)	112 - 156
Fixture Weight lbs (kg)	20 (9.1)

### QUICK LINKS

[Ordering Guide](#)
[Performance](#)
[Photometrics](#)
[Dimensions](#)

## FEATURES & SPECIFICATIONS

### Construction

- Rugged die-cast aluminum housing contains factory prewired driver and optical unit. Cast aluminum wiring access door located underneath.
- Fixtures are finished with LSI's DuraGrip® polyester powder coat finishing process. The DuraGrip finish withstands extreme weather changes without cracking or peeling. Other standard LSI finishes available. Consult factory.
- Shipping weight: 27 lbs in carton.

### Optical System

- State-of-the-Art one piece silicone optic sheet delivers industry leading optical control with an integrated gasket to provide IP66 rated seal.
- Proprietary silicone refractor optics provide exceptional coverage and uniformity in distribution types 2, 3, 5W, and FT.
- Silicone optical material does not yellow or crack with age and provides a typical light transmittance of 93%.
- Zero uplight.
- Available in 5000K, 4000K, and 3000K color temperatures per ANSI C78.377
- Minimum CRI of 70.
- Integral louver (IL) and integral half louver (IH) options available for enhanced backlight control.

### Electrical

- High-performance driver features over-voltage, under-voltage, short-circuit and over temperature protection.
- 0-10V dimming (10% - 100%) standard.
- Standard Universal Voltage (120-277 VAC) Input 50/60 Hz or optional High Voltage (347-480 VAC).
- L70 Calculated Life: >60k Hours
- Total harmonic distortion: <20%
- Operating temperature: -40°C to +50°C (-40°F to +122°F).
- Power factor: >.90
- Input power stays constant over life.
- Field replaceable 10kV surge protection device meets a minimum Category C Low operation (per ANSI/IEEE C62.41.2).
- High-efficacy LEDs mounted to metal-core circuit board to maximize heat dissipation
- Driver is fully encased in potting material for moisture resistance and complies with FCC standards. Driver and key electronic components can easily be accessed.

### Controls

- Optional integral passive infrared Bluetooth™ motion and photocell sensor. Fixtures operate independently and can be commissioned via iOS or Android configuration app.
- LSI's AirLink™ wireless control system options reduce energy and maintenance costs while optimizing light quality 24/7.

### Installation

- Designed to mount to square or round poles.
- A single fastener secures the hinged door, underneath the housing and provides quick & easy access to the electrical compartment.
- Included terminal block accepts up to 12 ga. wire.
- Utilizes LSI's traditional B3 drill pattern.

### Warranty

- LSI luminaires carry a 5-year limited warranty. Refer to <https://www.lsicorp.com/resources/terms-conditions-warranty/> for more information.

### Listings

- Listed to UL 1598 and UL 8750.
- Meets Buy American Act requirements.
- IDA compliant; with 3000K color temperature selection.
- Title 24 Compliant; see local ordinance for qualification information.
- Suitable for wet locations.
- IP66 rated Luminaire per IEC 60598-1.
- 3G rated for ANSI C136.31 high vibration applications are qualified.
- IK08 rated luminaire per IEC 66262 mechanical impact code
- DesignLights Consortium® Listings in progress.

## ORDERING GUIDE

[Back to Quick Links](#)

### TYPICAL ORDER EXAMPLE: MRS LED 18L SIL FT UNV DIM 40 70CRI ALBCS1 BLK IH

Prefix	Light Source	Lumen Package	Lens	Distribution	Orientation <sup>2</sup>	Voltage	Driver
MRS - Mirada Small Area Light	LED	6L - 6,000 lms 9L - 9,000 lms 12L - 12,000 lms 15L - 15,000 lms 18L - 18,000 lms 21L - 21,000 lms 24L - 24,000 lms Custom Lumen Packages <sup>1</sup>	SIL - Silicone	2 - Type 2 3 - Type 3 5W - Type 5 Wide FT - Forward Throw	(blank) - standard L - Optics rotated left 90° R - Optics rotated right 90°	UNV - Universal Voltage (120-277V) HV - High Voltage (347-480V)	DIM - 0-10V Dimming (0-10%)

Color Temp	Color Rendering	Controls (Choose One)	Finish	Options
50 - 5,000 CCT 40 - 4,000 CCT 30 - 3,000 CCT	70CRI - 70 CRI	(Blank) - None  <b>Wireless Controls System</b> ALSC - AirLink Synapse Control System ALSCS2 - AirLink Synapse Control System with 12-20' MH Motion Sensor ALSCS4 - AirLink Synapse Control System with 20-40' MH Motion Sensor ALBCS1 - AirLink Blue Wireless Motion & Photo Sensor Controller (8-24' MH) ALBCS2 - AirLink Blue Wireless Motion & Photo Sensor Controller (25-40' MH)  <b>Stand-Alone Controls</b> EXT - 0-10v Dimming leads extended to housing exterior CR7P - 7 Pin Control Receptacle ANSI C136.41 <sup>3</sup> IMSBT1 - Integral Bluetooth™ Motion and Photocell Sensor (8-24' MH) <sup>4</sup> IMSBT2 - Integral Bluetooth™ Motion and Photocell Sensor (25-40' MH) <sup>4</sup>	BLK - Black BRZ - Dark Bronze GMG - Gun Metal Gray GPT - Graphite MSV - Metallic Silver PLP - Platinum Plus SVG - Satin Verde Green WHT - White	(Blank) - None  IH - Integral Half Louver (Moderate Spill Light Cutoff) <sup>2</sup> IL - Integral Louver (Sharp Spill Light Cutoff) <sup>2</sup>



**Need more information?**  
Click here for our glossary

**Have additional questions?**  
Call us at (800) 436-7800



## Accessory Ordering Information<sup>5</sup>

CONTROLS ACCESSORIES	
Description	Order Number
Twist Lock Photocell (120V) for use with CR7P	122514
Twist Lock Photocell (208-277) for use with CR7P	122515
Twist Lock Photocell (347V) for use with CR7P	122516
Twist Lock Photocell (480V) for use with CR7P	1225180
AirLink 5 Pin Twist Lock Controller	661409
AirLink 7 Pin Twist Lock Controller	661410
Shorting Cap for use with CR7P	149328

FUSING OPTIONS <sup>7</sup>	
Description	Order Number
Single Fusing (120V)	<a href="#">See Fusing Accessory Guide</a>
Single Fusing (277V)	
Double Fusing (208V, 240V)	
Double Fusing (480V)	
Double Fusing (347V)	

SHIELDING OPTIONS	
Description	Order Number
Mirada Small	<a href="#">See Shielding Guide</a>
Mirada Medium	
Mirada Large	
Zone Medium	
Zone Large	
Slice Medium	

- Custom lumen and wattage packages available, consult factory. Values are within industry standard tolerances but not DLC listed.
- Not available on "Type 5W" distribution.
- Control device or shorting cap must be ordered separately. See Accessory Ordering Information.
- IMSBT is field configurable via the LSI app that can be downloaded from your smartphone's native app store.
- Accessories are shipped separately and field installed.
- "CLR" denotes finish. See Finish options.
- Fusing must be located in hand hole of pole. See [Fusing Accessory Guide](#) for compatibility.

## ACCESSORIES

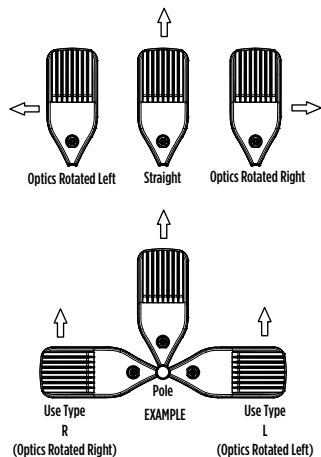
[Back to Quick Links](#)

MOUNTING ACCESSORIES		SHIELDING, POLES & MISC. ACCESSORIES		
Side Arm	<b>Universal Mounting Bracket</b> Mounts to $\geq 3"$ square or round (tapered/straight) poles with (2) mounting hole spaces between 3.5" to 5"  <b>Part Number: BKA UMB CLR</b>		<b>Shielding</b>  <b>Integral Louver</b> Field Install Integral Louver provides maximum backlight control by shielding each individual row of LEDs  <b>Part Number: 686485</b>  <b>Integral Half Louver</b> Field Install Integral Half Louver provides great backlight control without impacting front side distribution.  <b>Part Number: 743416</b>  <b>External Shield</b> External shield blocks view of light source from anyside of luminaire, additional shielding configurations available  <b>Part Number: 785970BLK (3") / 785962BLK (6")</b>	
	<b>Quick Mount Plate</b> True one person installation to existing/new construction poles with hole spaces between 2.4 to 4.6"  <b>Part Number: BKS POM B3B5 XX CLR</b>			
	<b>15° Tilt Quick Mount Plate</b> True one person installation to existing/new construction poles with hole spaces between 2.4 to 4.6"  <b>Part Number: BKS PQ15 B3B5 XX CLR</b>			
Tenon / Slipfitter	<b>Adjustable Slipfitter</b> Mounts onto a 2" (51mm) IP, 2.375" (60mm) O.D. tenon and provides 180° of tilt (max 45° above horizontal)  <b>Part Number: BKA ASF CLR</b>		<b>Poles</b>  <b>Square Poles</b> 14 - 39' steel and aluminum poles in 4", 5" and 6" sizes for retrofit and new construction  <b>Part Number: 45Q/55Q/65Q</b>  <b>Round Poles</b> 10 - 30' steel and aluminum poles in 4" and 5" sizes for retrofit and new construction  <b>Part Number: 4RP/5RP</b>  <b>Tapered Poles</b> 20' - 39' steel and aluminum poles for retrofit and new construction  <b>Part Number: RTP</b>	
	<b>Square Tenon Top</b> Mounts onto a 2" (51mm) IP, 2.375" (60mm) O.D. tenon and allows for mounting up to 4 luminaires  <b>Part Number: BKA XNM *</b>			
	<b>Square Internal Slipfitter</b> Mounts inside 4" or 5" square pole and allows for mounting up to 4 luminaires  <b>Part Number: BKA X_ISF * CLR</b>			
Wall Mount / Wood Pole	<b>Wall Mount Bracket</b> Mounts onto vertical wall surface ( hardware/anchors not included)  <b>Part Number: BKS XBO WM CLR</b>		<b>Misc.</b>  <b>Bird Spikes</b> 10' Linear Bird Spike Kit, 4' recommended per luminaire, includes silicone adhesive and application tool  <b>Part Number: 736795</b>	
	<b>Wood Pole Bracket</b> Mounts onto wooden poles (6" minimum OD, hardware/anchors not included)  <b>Part Number: BKS XBO WP CLR</b>			

Replace CLR with paint finish description  
 Replace XX with SQ for square pole or RD for round pole ( $\geq 3"$  OD)  
 Replace \* with S (Single), D180 (Double @180°), D90 (Double @90°), T90 (Triple), Q90 (Quad)  
 Replace \_ with 4 (4" square pole) or 5 (5" square pole)

## OPTICS ROTATION

Top View



## ACCESSORIES/OPTIONS

### Integral Louver (IL) and House-Side Shield (IH)

Integral louver (IL) and half louver (IH) accessory shields available for improved backlight control without sacrificing street side performance. LSI's Integral Louver (IL) and Integral House-Side Shield (IH) options deliver backlight control that significantly reduces spill light behind the poles for applications with pole locations close to adjacent properties. The design maximizes forward reflected light while reducing glare, maintaining the optical distribution selected, and most importantly eliminating light trespass. Both options rotate with the optical distribution.

Luminaire Shown with Integral Louver (IL)



Luminaire Shown with IMSBT Option



### 7 Pin Photoelectric Control

7-pin ANSI C136.41-2013 control receptacle option available for twist lock photocontrols or wireless control modules. Control accessories sold separately. Dimming leads from the receptacle will be connected to the driver dimming leads (Consult factory for alternate wiring).



# Mirada Small Area Light (MRS)

Type: \_\_\_\_\_

 Have questions? Call us at (800) 436-7800

## PERFORMANCE

[Back to Quick Links](#)

DELIVERED LUMENS*												
Lumen Package	Distribution	CRI	3000K CCT			4000K CCT			5000K CCT			Wattage
			Delivered Lumens	Efficacy	BUG Rating	Delivered Lumens	Efficacy	BUG Rating	Delivered Lumens	Efficacy	BUG Rating	
6L	2	70	6045	148	B2-U0-G1	6268	154	B2-U0-G1	6253	153	B2-U0-G1	41
	3		6145	151	B1-U0-G2	6372	156	B1-U0-G2	6357	156	B1-U0-G2	
	5W		5812	142	B3-U0-G1	6,026	148	B3-U0-G1	6012	147	B3-U0-G1	
	FT		5947	146	B1-U0-G1	6166	151	B1-U0-G1	6152	151	B1-U0-G1	
9L	2	70	9091	145	B2-U0-G2	9484	152	B2-U0-G2	9462	151	B2-U0-G2	63
	3		9241	148	B2-U0-G2	9641	154	B2-U0-G2	9619	154	B2-U0-G2	
	5W		8740	140	B3-U0-G2	9,118	146	B3-U0-G2	9097	144	B3-U0-G2	
	FT		8943	143	B2-U0-G2	9330	149	B2-U0-G2	9308	149	B2-U0-G2	
12L	2	70	12132	141	B3-U0-G2	12685	148	B3-U0-G2	12514	146	B3-U0-G2	86
	3		12333	143	B2-U0-G2	12894	150	B2-U0-G2	12721	148	B2-U0-G2	
	5W		11664	136	B4-U0-G2	12195	142	B4-U0-G2	12031	140	B4-U0-G2	
	FT		11935	139	B2-U0-G2	12479	145	B2-U0-G2	12311	143	B2-U0-G2	
15L	2	70	14220	128	B3-U0-G2	15167	137	B3-U0-G2	14488	131	B3-U0-G2	111
	3		14938	135	B2-U0-G2	15933	144	B2-U0-G2	15219	137	B2-U0-G2	
	5W		14304	129	B4-U0-G2	15257	137	B4-U0-G2	14574	131	B4-U0-G2	
	FT		14342	129	B2-U0-G2	15297	138	B2-U0-G2	14612	132	B2-U0-G2	
18L	2	70	16438	122	B3-U0-G3	17532	130	B3-U0-G3	16747	124	B3-U0-G3	135
	3		17267	128	B3-U0-G3	18417	137	B3-U0-G3	17592	131	B3-U0-G3	
	5W		16535	123	B4-U0-G2	17636	133	B5-U0-G3	16846	125	B4-U0-G2	
	FT		16578	123	B3-U0-G3	17682	131	B3-U0-G3	16890	125	B3-U0-G3	
21L	2	70	19488	118	B3-U0-G3	20786	126	B3-U0-G3	19885	120	B3-U0-G3	165
	3		20472	124	B3-U0-G3	21835	132	B3-U0-G3	20857	126	B3-U0-G3	
	5W		19604	119	B5-U0-G3	20,909	126	B5-U0-G3	19973	121	B5-U0-G3	
	FT		19655	119	B3-U0-G3	20964	127	B3-U0-G3	20025	121	B3-U0-G3	
24L	2	70	21976	112	B3-U0-G3	23439	120	B3-U0-G3	22390	114	B3-U0-G3	196
	3		23085	118	B3-U0-G3	24622	126	B3-U0-G3	23519	120	B3-U0-G3	
	5W		22105	113	B5-U0-G3	23578	120	B5-U0-G3	22522	115	B5-U0-G3	
	FT		22164	113	B3-U0-G3	23640	121	B3-U0-G3	22581	115	B3-U0-G3	

\*LEDs are frequently updated therefore values are nominal.

ELECTRICAL DATA (AMPS)*						
Lumens	120V	208V	240V	277V	347V	480V
6L	0.34	0.20	0.17	0.15	0.12	0.09
9L	0.52	0.30	0.26	0.23	0.18	0.13
12L	0.72	0.41	0.36	0.31	0.25	0.18
15L	0.93	0.53	0.46	0.40	0.32	0.23
18L	1.12	0.65	0.56	0.49	0.39	0.28
21L	1.38	0.80	0.69	0.60	0.48	0.34
24L	1.63	0.94	0.82	0.71	0.56	0.41

\*Electrical data at 25°C (77°F). Actual wattage may differ by +/-10%

RECOMMENDED LUMEN MAINTENANCE <sup>1</sup>					
Ambient Temp	Lumen Multiplier				
	0 hrs. <sup>2</sup>	25K hrs. <sup>2</sup>	50K hrs. <sup>2</sup>	75K hrs. <sup>3</sup>	100K hrs. <sup>3</sup>
0 C - 25 C	100%	95%	89%	84%	79%
40 C	100%	94%	87%	80%	74%

- Lumen maintenance values at 25°C are calculated per TM-21 based on LM-80 data and in-situ luminaire testing.
- In accordance with IESNA TM-21-11, Projected Values represent interpolated value based on time durations that are within six times (6X) the IESNA LM-80-08 total test duration (in hours) for the device under testing ((DUT) i.e. the packaged LED chip).
- In accordance with IESNA TM-21-11, Calculated Values represent time durations that exceed six times NA LM-80-08 total test duration (in hours) for the device under testing ((DUT) i.e. the packaged LED chip).



# Mirada Small Area Light (MRS)

Type: \_\_\_\_\_

 Have questions? Call us at (800) 436-7800

## PHOTOMETRICS

[Back to Quick Links](#)

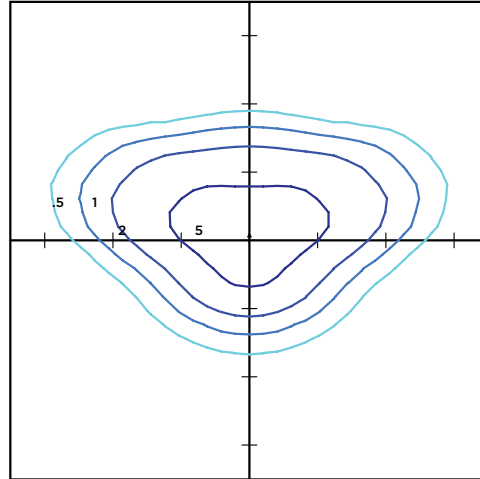
Luminaire photometry has been conducted by an accredited laboratory in accordance with IESNA LM-79. As specified by IESNA LM-79 the entire luminaire is tested as the source resulting in a luminaire efficiency of 100%.

### MRS-LED-18L-SIL-2-40-70CRI

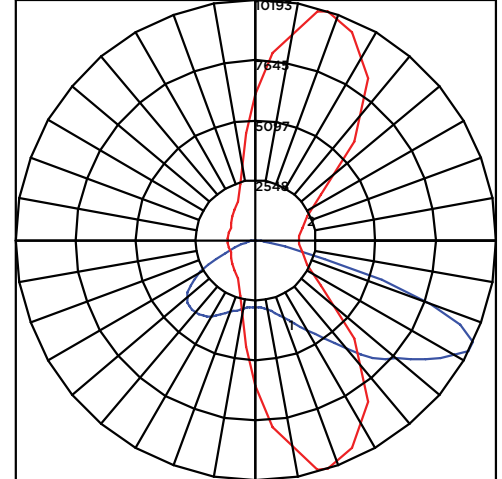
Luminaire Data	
Type 2 Distribution	
Description	4000 Kelvin, 70 CRI
Delivered Lumens	17,532
Watts	135
Efficacy	130
IES Type	Type II - Short
BUG Rating	B3-U0-G3

Zonal Lumen Summary		
Zone	Lumens	% Luminaire
Low (0-30)°	2831	16%
Medium (30-60)°	10310	59%
High (60-80)°	4208	24%
Very High (80-90)°	184	1%
Uplight (90-180)°	0	0%
<b>Total Flux</b>	<b>17532</b>	<b>100%</b>

ISO FOOTCANDLE



POLAR CURVE



20' Mounting Height/20' Grid Spacing

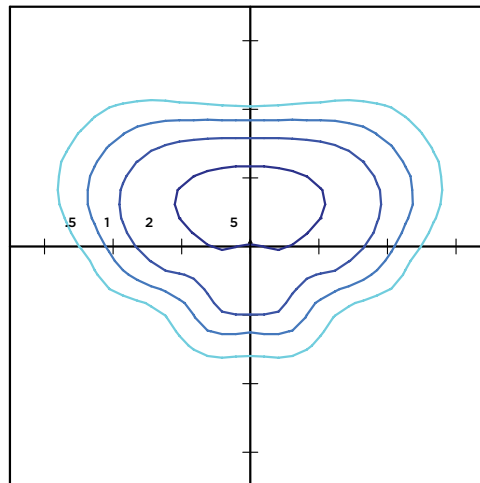
■ 5 FC ■ 2 FC ■ 1 FC ■ 0.5 FC

### MRS-LED-18L-SIL-3-40-70CRI

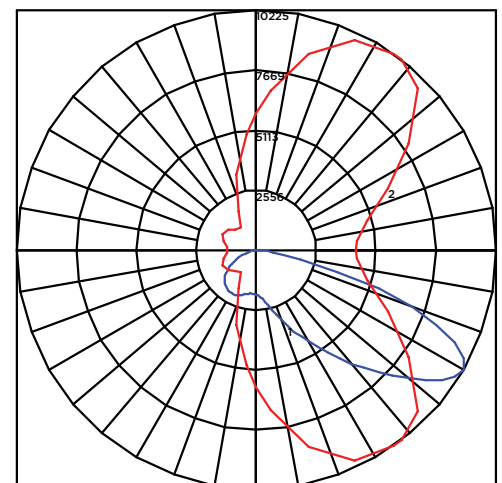
Luminaire Data	
Type 3 Distribution	
Description	4000 Kelvin, 70 CRI
Delivered Lumens	18,417
Watts	135
Efficacy	137
IES Type	Type III - Short
BUG Rating	B3-U0-G3

Zonal Lumen Summary		
Zone	Lumens	% Luminaire
Low (0-30)°	2329	13%
Medium (30-60)°	10634	61%
High (60-80)°	5246	30%
Very High (80-90)°	208	1%
Uplight (90-180)°	0	0%
<b>Total Flux</b>	<b>18417</b>	<b>100%</b>

ISO FOOTCANDLE



POLAR CURVE



20' Mounting Height/20' Grid Spacing

■ 5 FC ■ 2 FC ■ 1 FC ■ 0.5 FC

# Mirada Small Area Light (MRS)

Type: \_\_\_\_\_

 Have questions? Call us at (800) 436-7800

## PHOTOMETRICS (CONT)

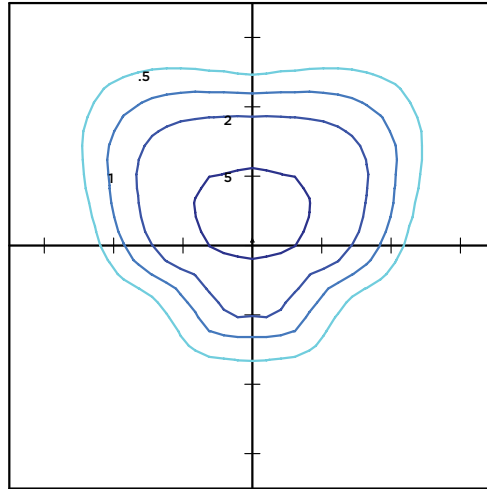
[Back to Quick Links](#)

### MRS-LED-18L-SIL-FT-40-70CRI

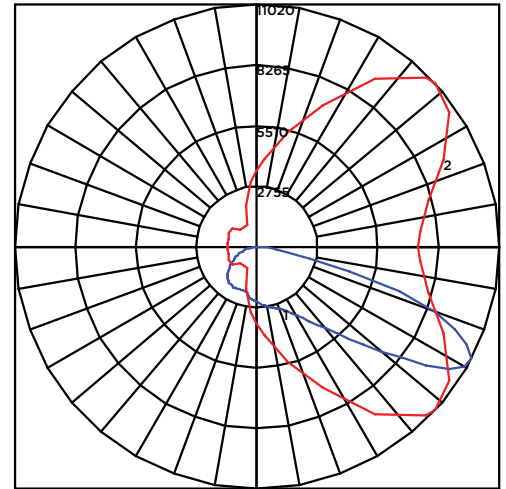
Luminaire Data	
Type FT Distribution	
Description	4000 Kelvin, 70 CRI
Delivered Lumens	17,682
Watts	135
Efficacy	131
IES Type	Type III - Short
BUG Rating	B3-U0-G2

Zonal Lumen Summary		
Zone	Lumens	% Luminaire
Low (0-30)°	2255	13%
Medium (30-60)°	9463	54%
High (60-80)°	5696	32%
Very High (80-90)°	268	2%
Uplight (90-180)°	0	0%
<b>Total Flux</b>	<b>17682</b>	<b>100%</b>

ISO FOOTCANDLE



POLAR CURVE



20' Mounting Height/20' Grid Spacing

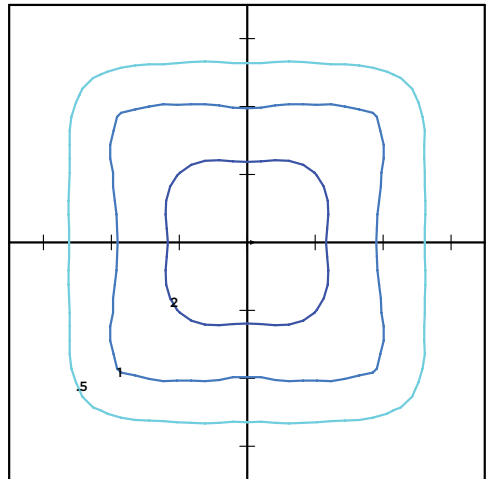
■ 5 FC ■ 2 FC ■ 1 FC ■ 0.5 FC

### MRM-LED-30L-SIL-5W-40-70CRI

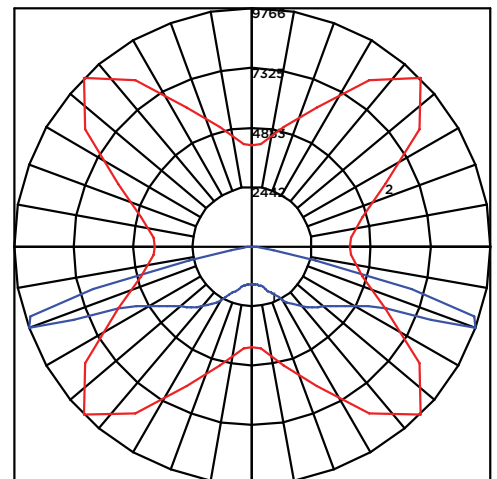
Luminaire Data	
Type 5W Distribution	
Description	4000 Kelvin, 70 CRI
Delivered Lumens	17,636
Watts	135
Efficacy	131
IES Type	Type VS - Short
BUG Rating	B4-U0-G2

Zonal Lumen Summary		
Zone	Lumens	% Luminaire
Low (0-30)°	1646	9%
Medium (30-60)°	7453	43%
High (60-80)°	8405	48%
Very High (80-90)°	132	1%
Uplight (90-180)°	0	0%
<b>Total Flux</b>	<b>17636</b>	<b>100%</b>

ISO FOOTCANDLE



POLAR CURVE



20' Mounting Height/20' Grid Spacing

■ 5 FC ■ 2 FC ■ 1 FC ■ 0.5 FC

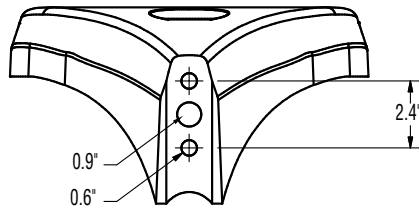
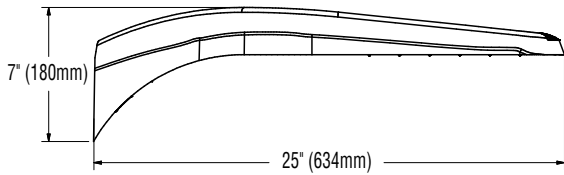
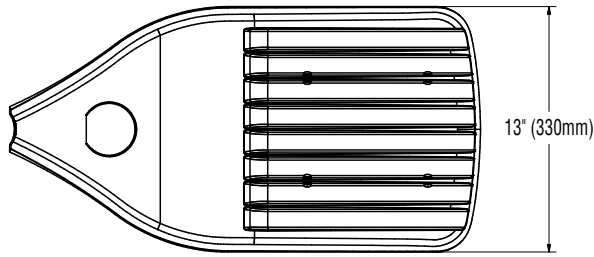
# Mirada Small Area Light (MRS)

Type: \_\_\_\_\_







 Have questions? Call us at (800) 436-7800

[Back to Quick Links](#)

## PRODUCT DIMENSIONS



**B3 Drill Pattern**

LUMINAIRE EPA CHART - MRS									
Tilt Degree		0°	30°	45°	Tilt Degree		0°	30°	45°
	Single	0.5	1.3	1.8		T90°	1.4	2.3	2.6
	D180°	0.9	1.3	1.8		TN120°	1.4	1.9	2.3
	D90°	0.9	1.8	2.2		Q90°	1.4	2.3	2.6

## CONTROLS

### AirLink Wireless Lighting Controller

The AirLink integrated controller is a California Title 24 compliant lighting controller that provides real-time light monitoring and control with utility-grade power monitoring. It includes a 24V sensor input and power supply to connect a sensor into the outdoor AirLink wireless lighting system. The wireless integrated controller is compatible with this fixture.

[Click here to learn more about AirLink.](#)

### Integral Bluetooth™ Motion and Photocell Sensor (IMSBT)

Slim low profile sensor provides multi-level control based on motion and/or daylight. Sensor controls 0-10 VDC LED drivers and is rated for cold and wet locations (-30° C to 70° C). Two unique PIR lenses are available and used based on fixture mounting height. All control parameters are adjustable via an iOS or Android App capable of storing and transmitting sensor profiles.

[Click here to learn more about IMSBT.](#)

### AirLink Blue

Wireless Bluetooth Mesh Outdoor Lighting Control System that provides energy savings, code compliance and enhanced safety/security for parking lots and parking garages. Three key components; Bluetooth wireless radio/sensor controller, Time Keeper and an iOS App. Capable of grouping multiple fixtures and sensors as well as scheduling time-based events by zone. Radio/Sensor Controller is factory integrated into Area/Site, Wall Mounted, Parking Garage and Canopy luminaires.

[Click here to learn more about AirLink Blue.](#)

# Gen3™

Gen3 is an architectural-grade, wet-location LED luminaire engineered for the illumination & highlighting of walls & surfaces



## ▶ FEATURES

- Gen3 design allows for any combination of 1, 2, 3 and 4Ft LED modules to be installed for up to 10Ft from a single power feed.
- 1% low-level flicker free dimming.
- Active Thermal Management monitors LED module case temperature and discreetly dims LED module upon signs of possible overheat.
- SmartDriver technology integrated in every LED module, maintaining continuous output regardless of voltage drop, temperature or voltage fluctuations.
- Actively managed ANSI Sub-Binning to ensure accurate and consistent color matching for each LED module.

## ▶ PHYSICAL

- Mil-Spec Anodized Aluminum Housing/UV Resistant Acrylic Lens.
- Weight: 12": 0.7 lb, 18": 0.9 lb, 24": 1.5 lbs, 36": 2.1 lbs, 48": 2.9 lbs.
- Protection Rating: IP66
- Warranty: 3 Years

## ▶ ELECTRICAL SPECIFICATIONS

<b>Input Voltage</b>	20-30VDC, 24V nom. Use with E05PW 75W
<b>Input Power</b>	3W/Ft - 7W/Ft
<b>Max. Load</b>	10Ft @ 7W/Ft and 25Ft @ 3W/Ft
<b>Max. Wire Distance</b>	50 Ft from Last Light to Power Box using 16 AWG
<b>Temperature</b>	Startup /Operating: -20°C to +40°C Relative Humidity: 0-95% (non-condensing)
<b>Dimming</b>	1% via 0 - 10 VDC
<b>Life</b>	60,000 hours to L70



AMERICAN DESIGNED & MANUFACTURED

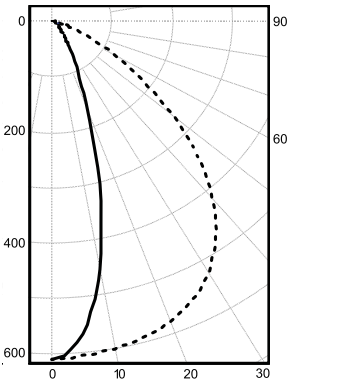
## ▶ PERFORMANCE

EFFICACY: **80lm/s/W, 7W/Ft**

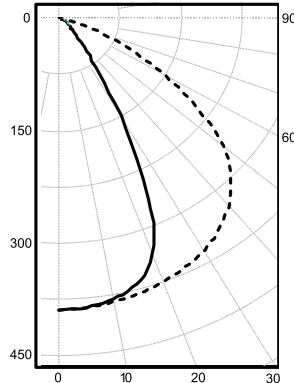
POLAR PLOT ——— 0 Deg. Plane

----- 90 Deg. Plane

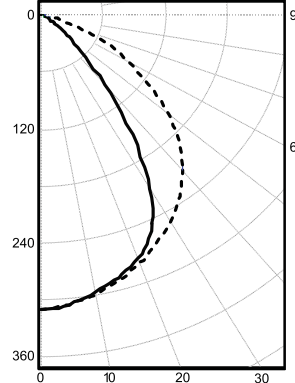
**30° Beam Angle**



**65° Beam Angle**



**82° Beam Angle**



## ▶ SPECIFICATION CODE BUILDER



i2Systems will use specification code and dimensional information below to generate a full BOM that includes all parts needed for a complete installation. **To order replacement parts** refer to page 2 and 3 for a full list of components part codes.

Product	Location	Power	Color	CRI	Beam	Finish	Brackets	Accessories
<b>V3</b>								
	<b>N</b> - Indoor	<b>3W</b> - 3 Watts	<b>20K</b> - 2000K	<b>S</b> - Standard	<b>3</b> - 30° X 65°	<b>B</b> - Black	<b>VLA-14</b> - Adjustable	<b>BB</b> - Baffle Black
	<b>E</b> - Outdoor	<b>4W</b> - 4 Watts	<b>22K</b> - 2200K	<b>H</b> - High	<b>6</b> - 65° X 65°	<b>S</b> - Silver	<b>VLAX2-6</b> - Extend 6"	<b>BC</b> - Baffle Clear Anodize
		<b>5W</b> - 5 Watts	<b>25K</b> - 2500K		<b>8</b> - 82° X 65°		<b>VLAX2-12</b> - Extend 12"	
		<b>6W</b> - 6 Watts	<b>27K</b> - 2700K				<b>VLA-5</b> - Adjustable	
		<b>7W</b> - 7 Watts	<b>30K</b> - 3000K				<b>VLA-15</b> - Fixed	
<b>V3</b> Gen3			<b>35K</b> - 3500K					
			<b>40K</b> - 4000K					
			<b>45K</b> - 4500K					
			<b>50K</b> - 5000K					
			<b>57K</b> - 5700K					
			<b>65K</b> - 6500K					
			<b>C</b> - Custom*					
							<b>Controls</b>	<b>Desired Length</b>
							<input type="text"/>	<input type="text"/>
							<b>SW</b> - Switch On/Off	TO BE FILLED OUT BY
							<b>D1</b> - 0 - 10V Dimming	CONTRACTOR/DISTRIBUTOR

EXAMPLE: V3-N-7W-35K-S-6-B-VLA-14-BB-D1

+Contact factory

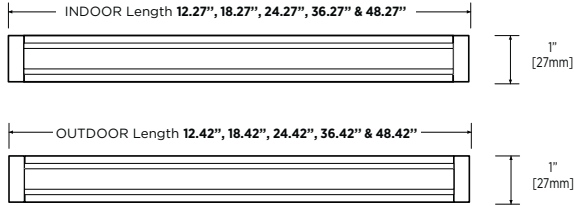
# Gen3™

Gen3 is an architectural-grade, wet-location LED luminaire engineered for the illumination & highlighting of walls & surfaces



## ▶ LED MODULE DIMENSIONS

Available in 5 lengths "A" for indoor and outdoor applications:



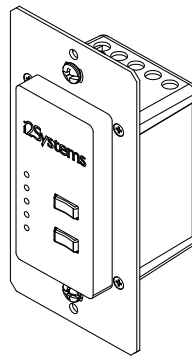
## ▶ LED MODULE PART CODES

Product	Length	Location	Power	Color	CRI	Beam	Finish
V3	12"	x	xW	xxK	x	x	x
V3	18"	x	xW	xxK	x	x	x
V3	24"	x	xW	xxK	x	x	x
V3	36"	x	xW	xxK	x	x	x
V3	48"	x	xW	xxK	x	x	x

## ▶ DIMMING CONTROL

LightLink \_\_\_LL-205-10V

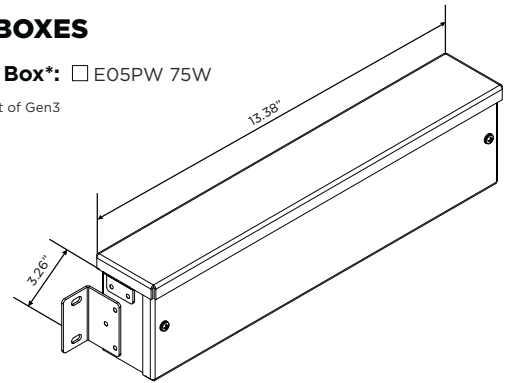
Indoor Dimming Cable:  685-01561-100  
Outdoor Dimming Cable:  685-02026-100



## ▶ POWER BOXES

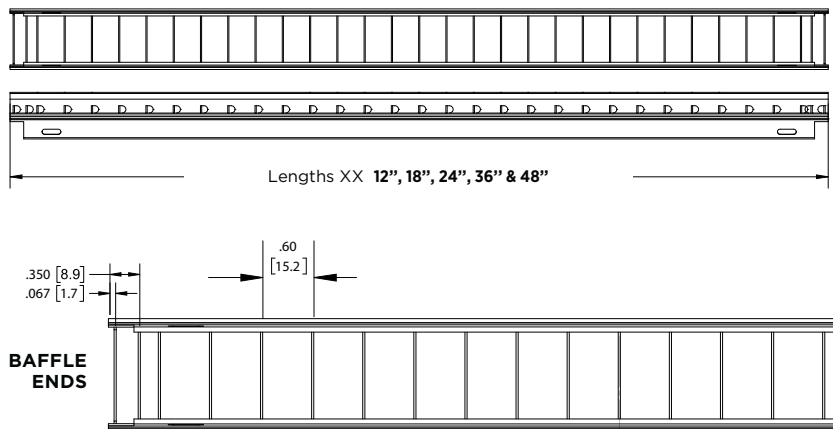
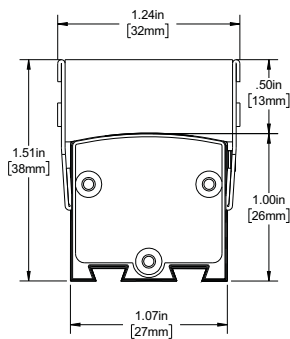
75W Power Box\*:  E05PW 75W

\*Powers up to 10 Ft of Gen3



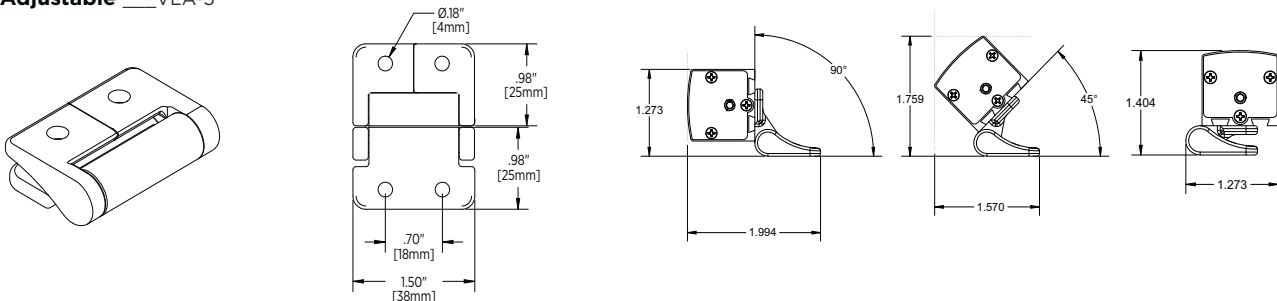
## ▶ OPTICAL ACCESSORY

Baffle:  810-50956-XX



## ▶ BRACKETS

Adjustable \_\_\_VLA-5



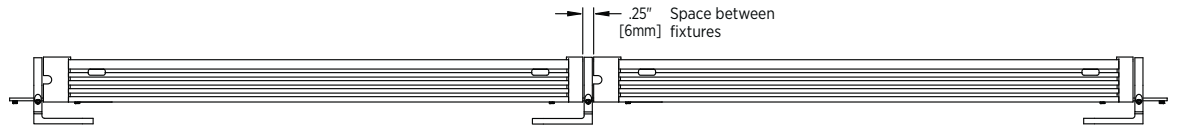
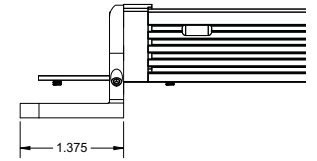
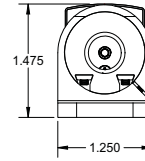
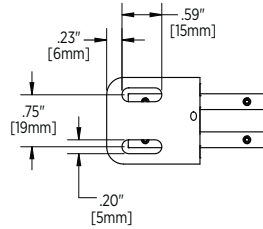
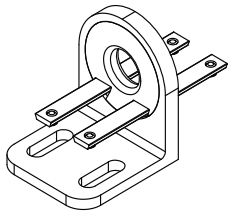
# Gen3™

Gen3 is an architectural-grade, wet-location LED luminaire engineered for the illumination & highlighting of walls & surfaces

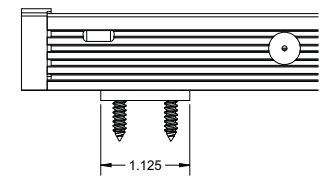
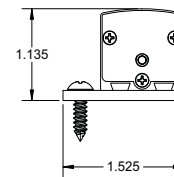
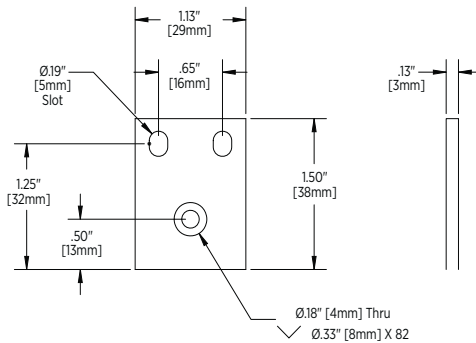
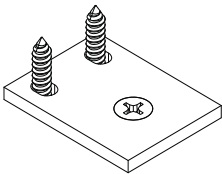


## ► BRACKETS

### Adjustable \_\_\_VLA-14



### Fixed \_\_\_VLA-15



### Adjustable Extension Mounting Clip \_\_\_VLAX2-6 \_\_\_VLAX2-12

